

ARBUS 4000

English version

EDITION - 06/2007

CODE - 979132

Parts catalog



MÁQUINAS AGRÍCOLAS JACTO S.A.

Rua Dr. Luiz Miranda, 1650

17580-000 - Pompéia - SP - Brasil

Tel.: +55 14 3405-2100 - Fax: +55 14 3452 1306

E-mail: export@jacto.com.br

Home page: <http://www.jacto.com.br>

ARBUS 4000

EQUIPMENT	PAGE
ARBUS 4000 SUPER EXPORT 190 W/O TIRES AND WHEELS.....	4

ARBUS 4000 SUPER EXPORT 190 W/O TIRES AND WHEELS (CODE: 421370)

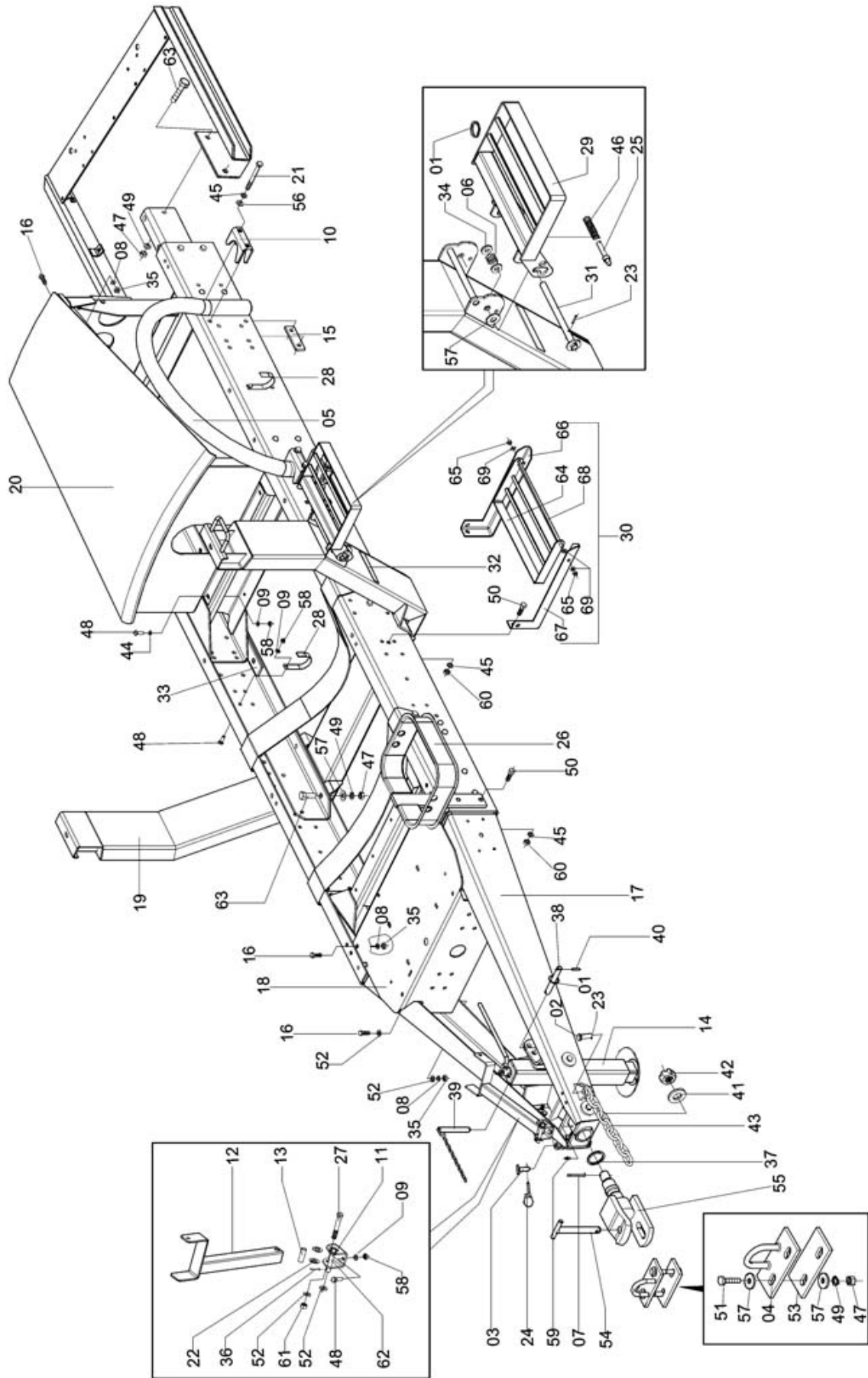
ENTIRE ASSEMBLIES	PAGE
"ARBUS 4000" OPERATOR'S MANUAL	57
2-WAY VALVE - "C" MODEL	32
3-WAY VALVE - MODEL B	38
4000-LITER TANK	14
ACCESSORIES BOX A-1000 EA	23
ACCESSORIES BOX FOR A-4000 VA J42/J52/J53/J63	22
ADJUSTABLE AXLE NO. 20	39
BEARING NO. 31	27
BRANCH W 17 DOUBLE NOZZLE HOLDERS FOR 2P DEFLECTOR	52
C.V. PTO SHAFT 1250 WITH PROTECTION	21
CABLE DIRECTIONAL VALVE (0-40 KGF/CM ²)	10
CHASSIS	41
CHEMICAL CIRCUIT	8
CHEMICAL INDUCTION HOPPER DIRECTIONAL VALVE	35
CHEMICALS MIXER 150/190	31
CHEMICALS MIXER NONRETURN VALVE	36
COMPLEMENTS FOR PUMP JP-190	46
COMPLEMENTS FOR TRAILER	47
CONE NOZZLE J4-2	51
DEFLECTOR 2P AND COMPLEMENTS	44
DIRECTIONAL VALVE 100	49
DOUBLE NOZZLE HOLDER	20
DRIVE TRANSMISSION AND COMPLEMENTS	42
DRIVEN TRANSMISSION AND COMPLEMENTS	12
FAN ASSEMBLY	28
FEMALE QUICK FITTING	63
FLEXIBLE CABLE WITH COUPLING FORK	58
FLEXIBLE COUPLING 9	24
HOSE Ø 3/4" BSP X 600 FOR MACHINE WITHOUT SENSORFLOW	48
HYDRAULIC AGITATOR NO. 9	30
JACK 3000	25
MALE QUICK FITTING	50
MECHANICAL AGITATOR 2005 - 02	26
PLATFORM	45
PRESSURE HOSE 1" BSP X 390	59
PULLEY Ø 332-12-3V	56
PULLEY Ø 228-6-3V	54
PULLEY Ø88-12-3V	55
REAR BUMPER	33
REAR COLUMN AND COMPLEMENTS - SUPER EXPORT	43
RINSE NOZZLE	61
SPACER 15	60
SPRAY CONTROL ACTUATOR	40
SPRAY PUMP JP-190 S	16
STICKER: "ARBUS 4000 SE"	18
SUCTION FILTER WITH VALVE 200 L/MIN	29
TIGHTENING PULLEY ASSEMBLY 78 (SHAFT Ø 15 X 50,5)	34
TIRE ASSEMBLY	37

ARBUS 4000 SUPER EXPORT 190 W/O TIRES AND WHEELS
(CODE: 421370)

Continuation

ENTIRE ASSEMBLIES	PAGE
TRAILER ASSEMBLY	6
TRAPEZOIDAL BELT SUPER HC 4/3V-0850	53
WIDE ANGLE CV PTO SHAFT - Z = 6 X 35	62

TRAILER ASSEMBLY



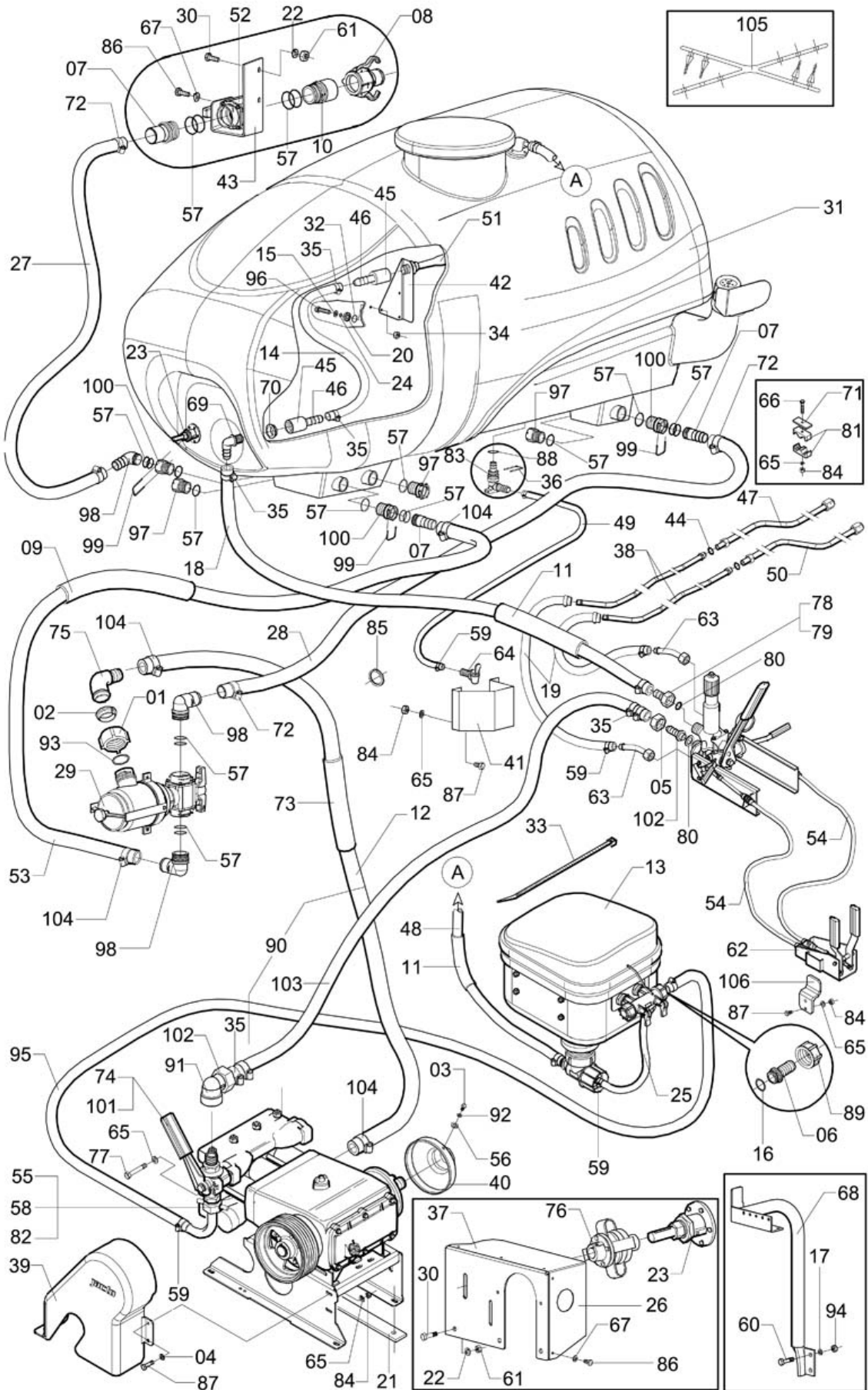
C-77

TRAILER ASSEMBLY

Continuation

Item	CODE	DESCRIPTION	Qty.	Item	CODE	DESCRIPTION	Qty.
00	291039	Trailer assembly	1	60	937318	Hex. nut M14 x 1.5 CL . 88	8
01	012146	Key ring ø 40	2	61	937326	Nut M -12 x 1.5	1
02	104836	Cylinder shaft	1	62	939215	Pin 86	1
03	118190	Chain fastening pin	1	63	984963	Hex. bolt M16 x 50 x 1.50	8
04	118208	Chain holder	1	64	434506	Platform base	1
05	187914	Side support	2	65	108761	Nut 3/8" - 16 UNC]	2
06	204537	Compression spring	1	66	372391	Right support	1
07	209023	Cotter pin 1/4" x 2.1/2"	1	67	372409	Left support	1
08	209163	Lock washer M12	8	68	434530	Stud bolt 3/8" - 16 UNC x 500	1
09	209395	Lock washer M10	11	69	623884	Flat washer 105 x 210 x 20	4
10	247098	Clamp for tube 60	6				
11	247981	PTO Shaft Support Base	1				
12	267104	PTO Shaft Support	1				
13	267351	Spacer bushing	1				
14	269969	Jack 3000	1				
15	271940	Bolts Lock	6				
16	280925	Hex. head bolt M12 x 35 x 1,50	8				
17	291047	Chassis	1				
18	291088	Pump Platform	1				
19	291096	Tank Bearer	1				
20	291104	Tank Support	1				
21	291765	Flat washer M14 x 130 x 1,50	12				
22	292896	Flat spring	2				
23	330076	Flexible pin ø 4 x 16 (heavy)	3				
24	330407	Universal lock pin 5/16"	1				
25	342667	Lock pin	1				
26	361386	Chemicals mixer strap	1				
27	364166	Hex. head bolt M12 x 80 x 1,50	1				
28	368639	Support J	5				
29	370379	Articulate platform	1				
30	372383	Platform assembly	1				
31	374389	Shaft Ø 5/8" x 235	1				
32	375311	Protector 3 0 x 160	1				
33	381822	Reinforcement 50 x 450	2				
34	425892	Spring seat ring	2				
35	427013	Nut ABTN - 1020 thread M12 x 1,50	8				
36	427294	Cotter pin ø 4 x 25	2				
37	532465	Ring ø 71 x 45 x 6,5	1				
38	533117	Upper shaft	1				
39	533125	Lock pin	1				
40	545855	Flexible pin ø 6 x 32	2				
41	612515	Flat washer 360 x 700 x 79,3	1				
42	612580	Castle nut 1.3/8" - 12 UNF	1				
43	622530	Safety chain	1				
44	624130	Flat washer 100 x 180 x 12	4				
45	644146	Lock washer M14	18				
46	731075	Compression spring	1				
47	742015	Nut M16 x 1.50	8				
48	757559	Hex. bolt M10 x 30 x 1.25	11				
49	764142	Lock washer M16	8				
50	764183	Hex. head bolt M14 x 45 x 1,50 - CL. 8.8	8				
51	764225	Screw M16 x 90 x 2.00	2				
52	818112	Flat washer 130 x 240 x 30	7				
53	819680	Chain holder clip plate	1				
54	824003	Tee pin	1				
55	831545	Trailer hitch no. 4	1				
56	881235	Flat washer N. 150 x 280 x 25	12				
57	881300	Flat washer 170 x 380 x 3.0	10				
58	907030	Hex. nut M10 x 1.25	11				
59	910463	Grease nipple 1/4" - 28 UNF	1				

CHEMICAL CIRCUIT



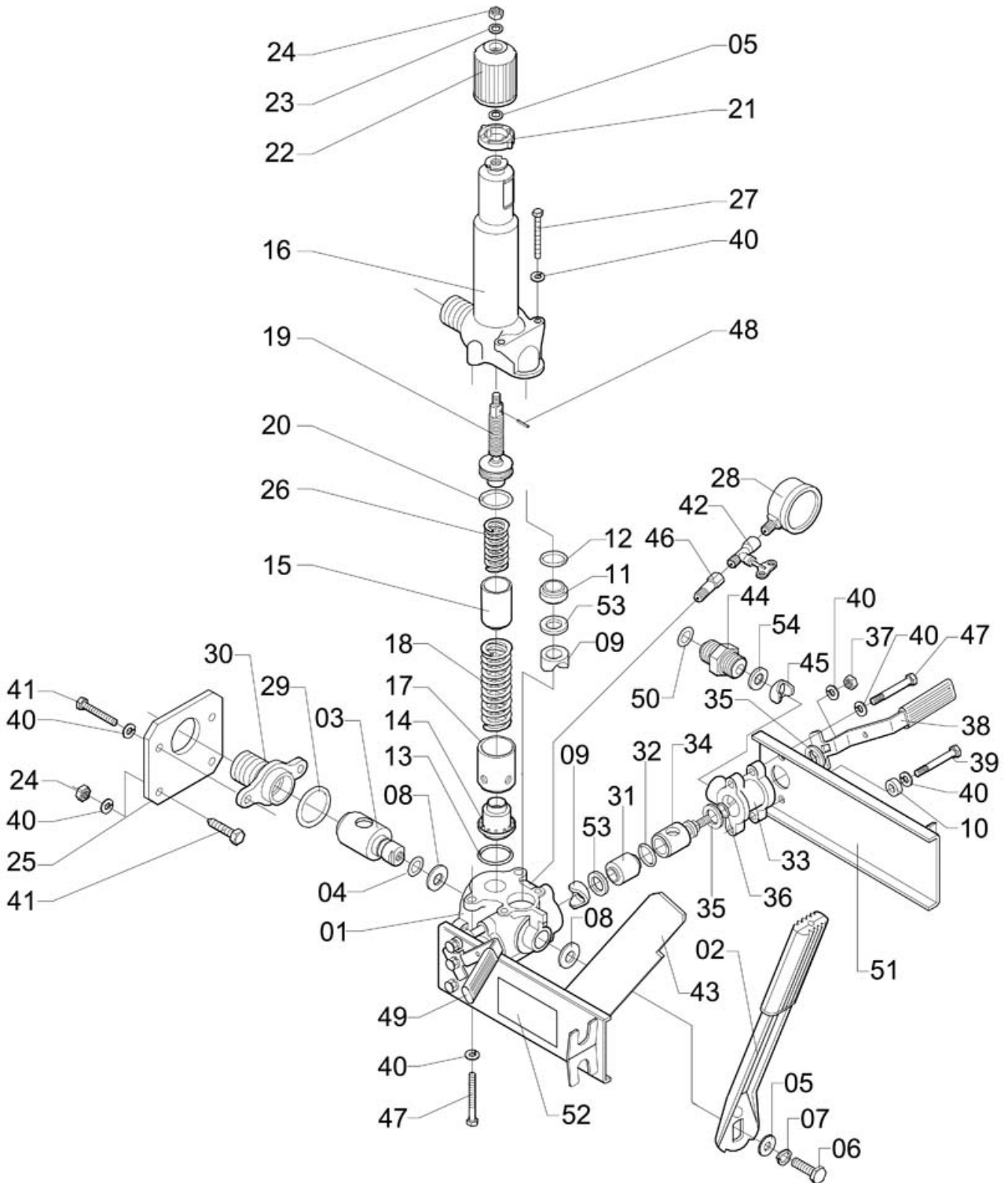
CD-476

CHEMICAL CIRCUIT

Continuation

Item	CODE	DESCRIPTION	Qty.	Item	CODE	DESCRIPTION	Qty.
00	376970	Chemical circuit	1	60	383802	Hex. bolt M12 x 40 x 1,50	2
01	005900	Coupling nut	1	61	427013	Nut ABTN - 1020 thread M12 x 1,50	5
02	005918	Locking ring	1	62	431692	Spray control actuator	1
03	007229	Bolt 1/4" x 20 UNC x 3/4"	3	63	434407	Curve fitting 35°	2
04	013433	Flat washer	3	64	436535	Plastic tap	1
05	405753	Hex. nut 1" - 11 BSP	2	65	519736	Lock washer M8	19
06	048165	Nozzle ø 3/4"	1	66	520726	Hex head bolt M8 x 60 x 1.25	4
07	066043	Hose fitting ø 2"	3	67	521666	Lock washer M6	9
08	066100	Female Quick Fitting	1	68	556522	Control support	1
09	066589	Protective hose 76.2 x 170	1	69	573618	Elbow 1.1/4" BSP x 90°	1
10	073940	Male Quick Fitting	1	70	573634	Double seal	1
11	081950	Protective hose Ø1.1/2" x 350	2	71	618405	Semiclamp plate 25 x 17	4
12	584755	Hose ø32 X 900	1	72	626580	Clamp D51-64	4
13	088336	Chemicals mixer 150/190	1	73	647628	Hose 2" x 195	1
14	095877	Hose Ø 1.1/4" x 1600	1	74	717454	Directional valve 100	1
15	109678	Flat washer 105 x 254 x 12.4	3	75	725135	Curve hose fitting 2" x 90	1
16	110494	O-ring OR1-116	1	76	727925	Flexible coupling 9	1
17	818112	Flat washer 130 x 240 x 30	2	77	729038	Bolt 5/16" x 2.3/4"	4
18	682195	Hose ø 31,5 (1.1/4") X 1900	1	78	731505	Nut 1.1/4" BSP	1
19	238097	Hose MBP-12 ç 19.00 (3/4") x 740	2	79	731513	Hose fitting Ø 31,8 (1.1/4") x Ø 33	1
20	155473	Seal washer 1" x 10.5	3	80	731521	O-ring OR1 - 124	2
21	191122	Spacer 443	1	81	732040	Semiclamp for tube 19	4
22	209163	Lock washer M12	5	82	747584	Fitting	1
23	543348	Mechanical agitator 2005 - 02	1	83	764365	Agitator elbow 1/2"	1
24	231845	O-ring OR1-110	3	84	810770	Hex. nut M-8 x 1.25	15
25	251793	Hose ø 5/8" x 850	1	85	820670	Packing	1
26	265454	Protection side	1	86	829507	Hex. head bolt M6 x 16 x 1.00	9
27	266536	Hose Ø 2" x 2000	1	87	829382	Hex head bolt M8 x 25 x 1.25	11
28	279208	Hose Ø 2" x 2150	1	88	832857	O-ring OR1-115	1
29	279844	Suction Filter with Valve for 200 L/min	1	89	867044	Nut for branch outlet	1
30	280925	Hex. head bolt M12 x 35 x 1,50	5	90	868661	Pressure hose 1" BSP x 390	1
31	291021	4000-liter tank	1	91	495432	Elbow 1" x 90	1
32	322057	O-ring ORI-114	3	92	910117	Lock washer ø 1/4"	3
33	323584	Hose tie	2	93	588665	Packing ring	1
34	327445	Hex. nut ø 3/8" - 16 UNC	3	94	173245	Hex. nut parlock M12 x 1.25	2
35	330969	Clamp D25-38 - stainless steel	6	95	947507	Hose ø 3/4" x 1400	1
36	348789	Lock 22	1	96	950642	Screw 3/8"- 16 UNC x 1.1/2"	3
37	361360	Agitator Support	1	97	969394	Tank sump fitting	3
38	868455	Control tube - front	2	98	969402	Hose fitting ø 2" x 90°	3
39	376491	Pulley protector	1	99	970103	Lock 56	3
40	376509	Crankshaft protector	1	100	991703	Tank sump fitting	3
41	376988	Tap protection	1	101	995654	Packing ring	1
42	377051	Hydraulic Agitator Support	1	102	819540	Hose fitting ø 1"	2
43	377523	Filler unit support	1	103	868679	Hose MBP-16 - 1" x 340	1
44	210823	O-ring OR2-008	2	104	787309	Clamp 5765	4
45	379297	Sleeve 1.1/4" BSP	2	105	086546	Hose Spacer	1
46	379305	Inner adaptor 1.1/4" BSP	2	106	431718	Operating holder	1
47	906297	Spray control tube - right	1				
48	379941	Hose Ø 1.1/4" x 4850	1				
49	379958	Hose Ø 5/8" x 2500	1				
50	762419	Spray control tube - left	1				
51	379974	Hydraulic agitator no. 9	1				
52	391649	2-way valve - "C" model	1				
53	392969	Hose Ø 2" x 360	1				
54	399139	Flexible cable with coupling fork	2				
55	402412	Lock washer ø 31 x 22.5 x 22.5/3.0	1				
56	413468	Flat washer 68 x 190 x 12	3				
57	417717	O-ring OR1-227	20				
58	421040	Wing nut 1"	1				
59	423814	Clamp D22-32 - stainless steel	12				

CABLE DIRECTIONAL VALVE (0-40 KGF/CM²)



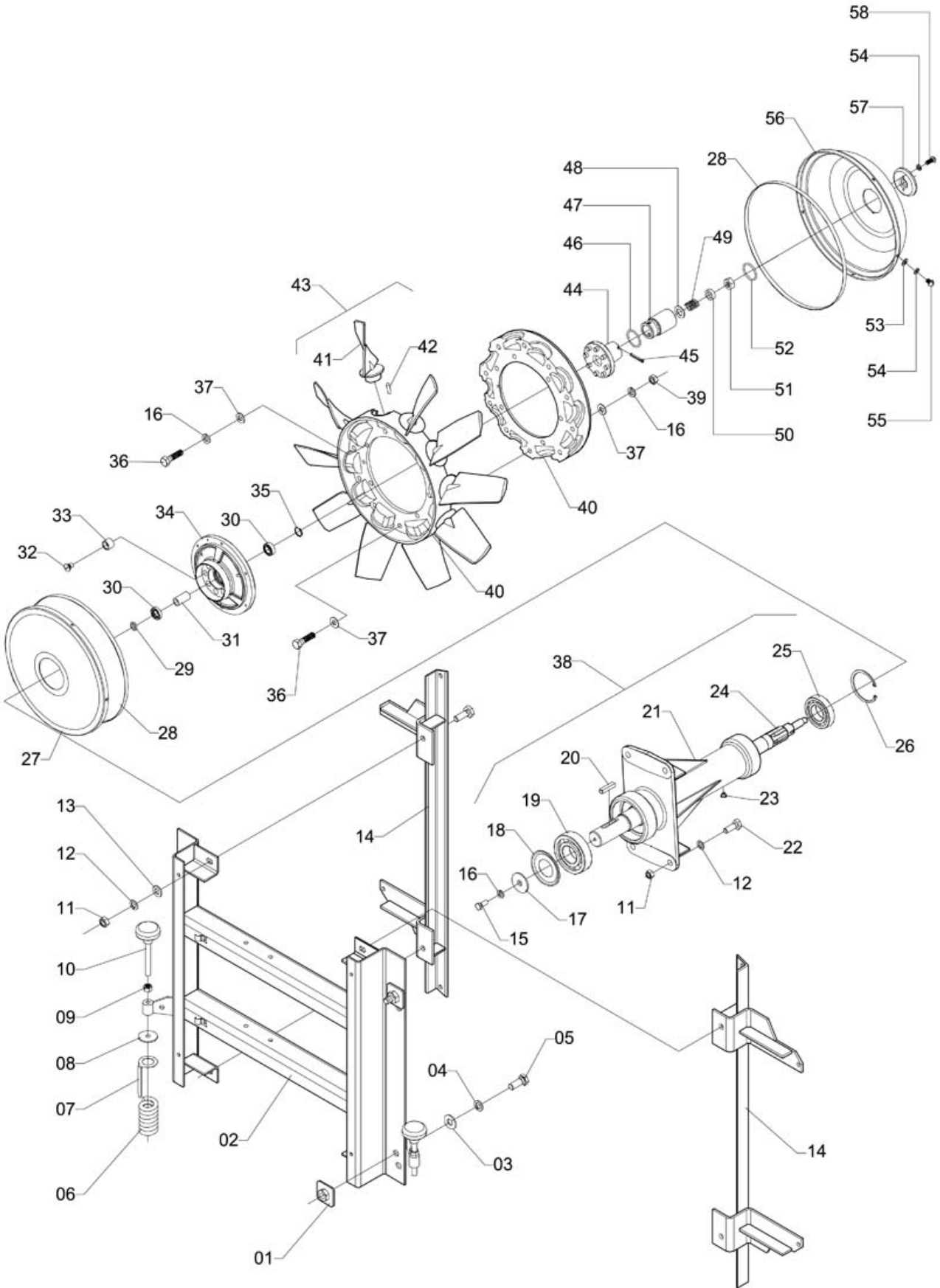
CV-294

CABLE DIRECTIONAL VALVE (0-40 KGf/CM²)

Continuation

Item	CODE	DESCRIPTION	Qty.	Item	CODE	DESCRIPTION	Qty.
00	870485	Cable directional valve (0-40 kgf/cm ²)	1				
01	935999	Valve body	1				
02	010587	Lever	1				
03	717835	Core	1				
04	706796	O-ring OR1-114	1				
05	623884	Flat washer 105 x 210 x 20	4				
06	917682	Bolt 3/8" - 16 UNC x 1/2"	1				
07	908566	Lock washer ø 3/8"	1				
08	010645	Core seat washer	2				
09	010678		3				
10	431486	Spacer	2				
11	010793	Packing seat spacer 29 x 12.5	1				
12	012724	O-ring ORI-119	1				
13	011593	O-ring OR1-219	1				
14	010710	Valve seat	1				
15	616144	Spring spacer	1				
16	616102	Cylinder	1				
17	010728	Valve with insert	1				
18	622712	Compression spring ø 25 x 90	1				
19	117960	Adj. screw 1/2" UNF (w/ spring seat)	1				
20	011601	O-ring ORI-213	1				
21	011031	Lock	1				
22	010629	Knob	1				
23	013433	Flat washer	1				
24	912758	Hex. nut 5/16" - 18 UNC	3				
25	107441	Support	1				
26	616151	Spring ø 18 x 34	1				
27	831503	Hex. bolt 5/16"-18 UNC x 1.3/4"	2				
28	551945	Pressure gauge (0 to 40 kgf/cm ²) (glycerin-filled)	1				
29	106948	O-ring OR1-130	1				
30	010777	Flanged fitting 1" BSP	1				
31	010801	Spacer ø 29 x 19.4	2				
32	011668	O-ring OR1-122	2				
33	357947	Valve body	2				
34	357954	Core ø 26	2				
35	010769	Core seat washer ø 24	4				
36	011676	O-ring OR1-111	2				
37	810770	Hex. nut M-8 x 1.25	2				
38	357962	Lever	2				
39	729038	Bolt 5/16" x 2.3/4"	2				
40	519736	Lock washer M8	12				
41	836502	Screw 5/16" - 18 UNC x 1"	4				
42	507319	Needle valve for pressure gauge	1				
43	991752	Support	1				
44	823435	Outlet nipple	2				
45	010751	Packing seat ø 22	2				
46	014423	Pressure gauge extension	1				
47	627992	Hex. head bolt 5/16" - 18 UNC x 2.1/2	4				
48	917369	Flexible pin (heavy) 3 x 22	1				
49	945964	Lever handgrip	2				
50	322057	O-ring ORI-114	2				
51	358127	Support	1				
52	979583	Sticker: "Control maintenance..."	1				
53	010827	Packing ring ø 29 x 22 x 3	3				
54	010991	O-ring ø 24.7	2				

DRIVEN TRANSMISSION AND COMPLEMENTS



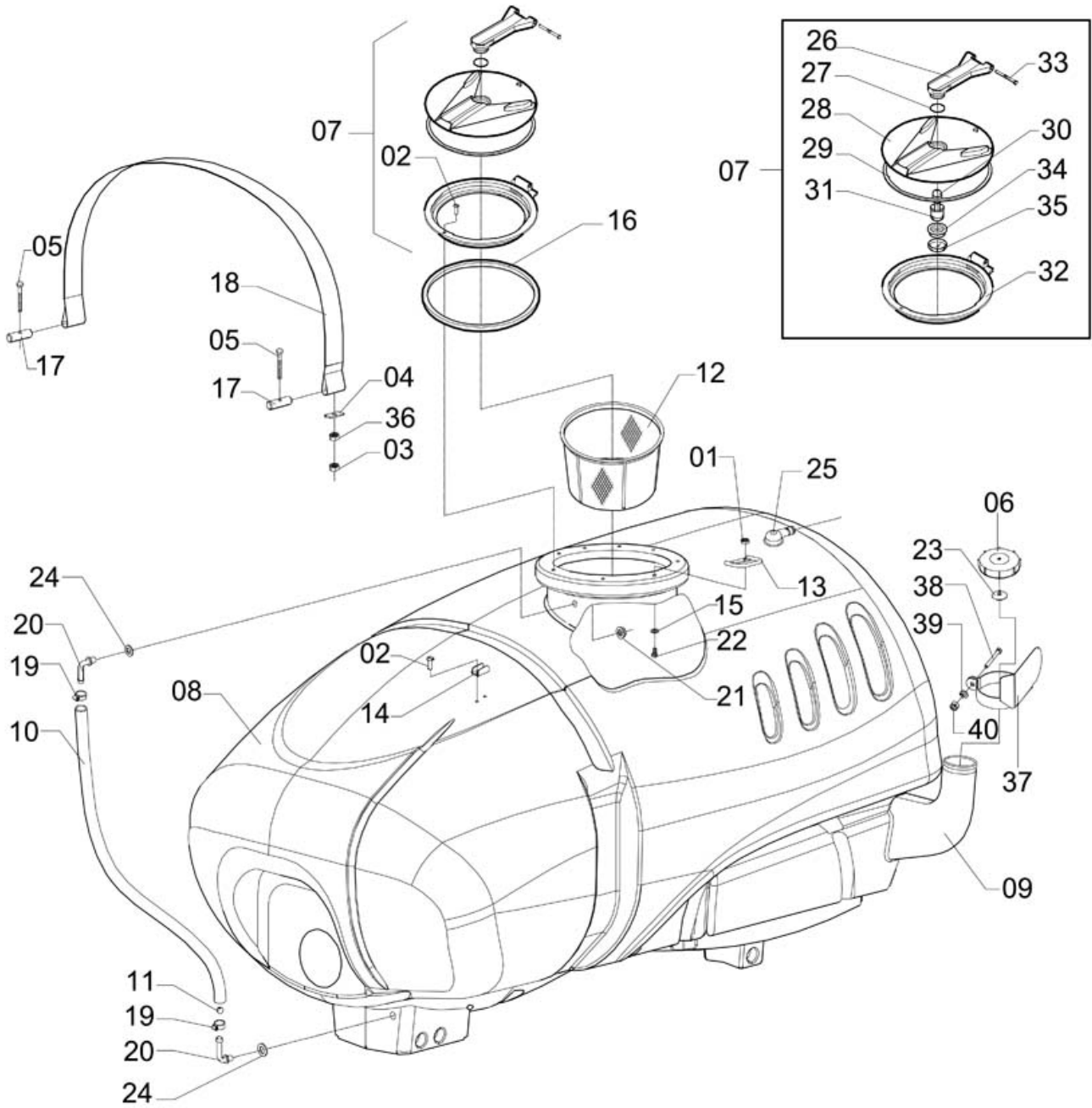
TMV-36

DRIVEN TRANSMISSION AND COMPLEMENTS

Continuation

Item	CODE	DESCRIPTION	Qty.	Item	CODE	DESCRIPTION	Qty.
00	288639	Driven transmission and complements	1	58	007179	Screw \varnothing 3/16" UNC x 5/8"	2
01	202499	Plate with nut \varnothing 5/8" - 11 UNC	4				
02	444034	Adjustable frame	1				
03	881300	Flat washer 170 x 380 x 3.0	4				
04	764142	Lock washer M16	4				
05	764209	Hex head bolt M 16 x 40 x 2.00 - CL 8.8	4				
06	439265	Compression spring - OE=47,5 x LO+ 115	2				
07	499061	Spring stop	2				
08	499079	Spring seat	2				
09	326280	Nut \varnothing 1/2" UNC	2				
10	941948	Tightening screw \varnothing 1/2" - 13 UNC	2				
11	427013	Nut ABTN - 1020 thread M12 x 1,50	8				
12	209163	Lock washer M12	8				
13	818112	Flat washer 130 x 240 x 30	4				
14	238048	Deflector support	2				
15	037258	Hex head bolt M 8 x 20 x 1.00 RT CL 10.9	1				
16	519736	Lock washer M8	17				
17	507665	Flat washer 82 x 506 x 30	1				
18	728907	Packing ring	1				
19	728899	Fixed bearing	1				
20	519793	Square key - 9.53 (3/8") x 45	1				
21	228767	Transmission bearing	1				
22	280925	Hex. head bolt M12 x 35 x 1,50	4				
23	430652	Bearing breather	1				
24	228775	Axle 719	1				
25	203737	Fixed bearing	1				
26	324145	Snap ring for hole \varnothing 80	1				
27	848911	Fan guard cap	1				
28	018655	Packing 1015	2				
29	518118	Spacer ring	1				
30	202549	Fixed bearing	2				
31	232686	Spacer 51.4	1				
32	939140	Screw M6 x 16	8				
33	937607	Bushing \varnothing 17.6 x 16	8				
34	018481	Flange hub	1				
35	203067	Snap ring for shaft \varnothing 35	1				
36	721704	Hex. bolt 5/16" UNC 1.1/4"	16				
37	013433	Flat washer	26				
38	363598	Bearing no. 31	1				
39	912758	Hex. nut 5/16" - 18 UNC	10				
40	018663	Blade fastening flange (outer)	2				
41	038661	Fan blade 850	10				
42	298182	Pin \varnothing 8.40 x 14	10				
43	348995	Fan assembly	1				
44	018713	Grooved hub with pins	1				
45	427567	Flexible pin \varnothing 5 x 32	1				
46	011643	O-ring ORI-129	1				
47	201103	Coupling hub	1				
48	881243	Flat washer 170 x 300 x 19	1				
49	204537	Compression spring	1				
50	425892	Spring seat ring	1				
51	202663	Hex. nut 1/2" - 13 UNC	1				
52	939223	Packing ring	1				
53	501692	Flat washer 52 x 120 x 12	10				
54	520676	Lock washer M5	12				
55	907584	Screw 3/16" UNC x 5/16"	10				
56	935379	Hub cap	1				
57	201087	Disc \varnothing 70	1				

4000-LITER TANK



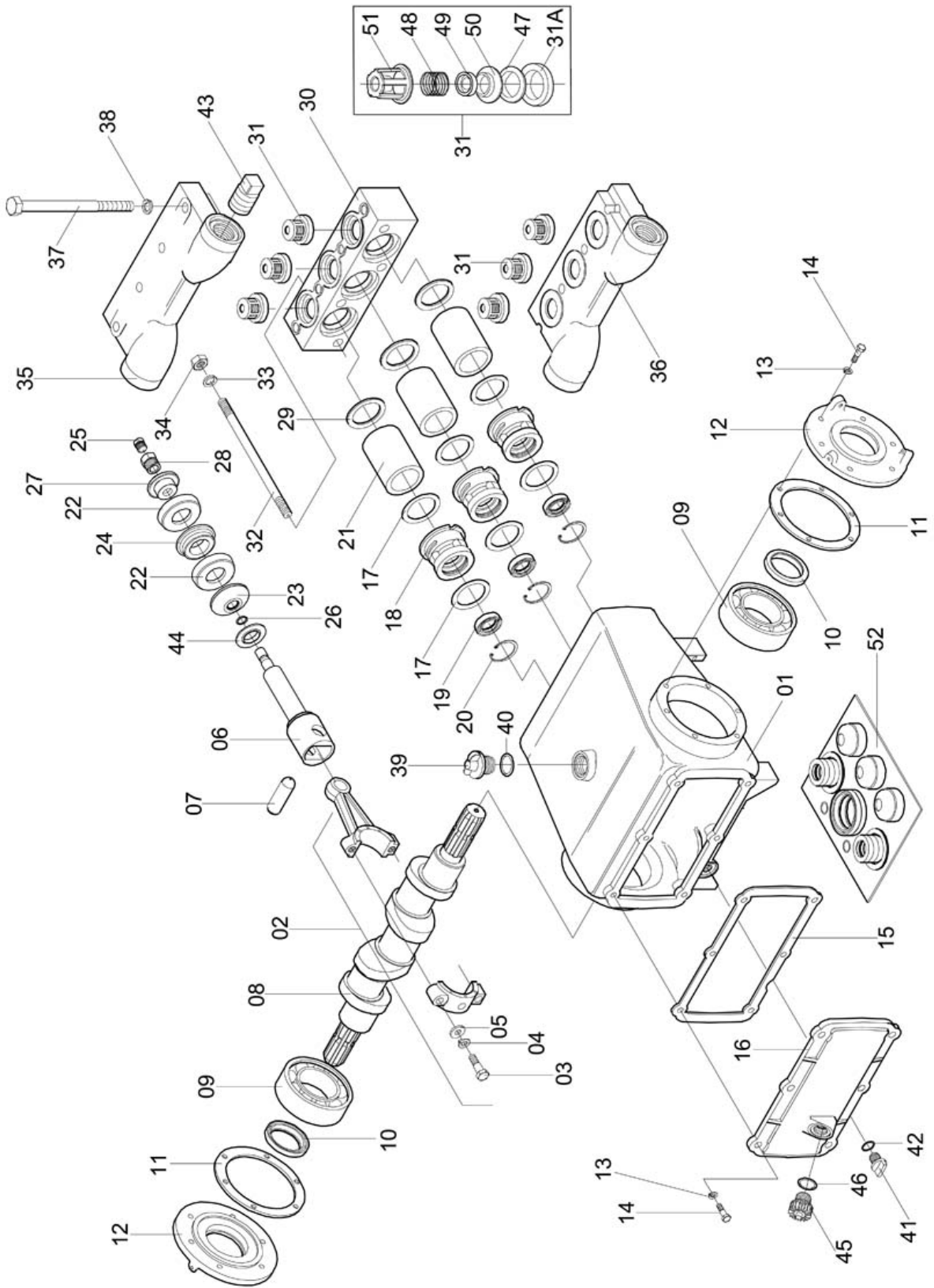
D-122

4000-LITER TANK

Continuation

Item	CODE	DESCRIPTION	Qty.	Item	CODE	DESCRIPTION	Qty.
00	291021	4000-liter tank	1				
01	221648	Nut M8 x 1.25 - stainless steel	2				
02	062968	Self-tapping screw with slot	10				
03	202663	Hex. nut 1/2" - 13 UNC	2				
04	997809	Reinforcement 31.8 x 70	2				
05	935635	Tightening screw 1/2" - 13 UNC	2				
06	762856	Cover ø 130	1				
07	752949	"Italian" Lid Assembly with Ring	1				
08	291302	Tank 4000 L	1				
09	291328	Tank 400 L	1				
10	292656	Hose 3/4" x 2520	1				
11	324764	Float ø 14	1				
12	349555	Strainer	1				
13	362749	Support Handle	1				
14	368472	Hose Guide	1				
15	377911	Flat washer 84 x 160 x 16	2				
16	752931	Packing 5 x 15 x 1370	1				
17	710772	Tightening strap shaft	2				
18	391599	Upper strap with packing	1				
19	423814	Clamp D22-32 - stainless steel	2				
20	428730	Elbow 3/4" x 1/2" BSP -14 F.P.P.	2				
21	428748	Flanged nut 1/2" BSP -14 F.P.P.	2				
22	448233	Bolt M8 x 30 x 1,25	2				
23	560573	Diaphragm	1				
24	563510	Seal washer ø 36,3	2				
25	573626	Chemicals mixer nonreturn valve	1				
26	870204	Lid articulator	1				
27	870220	Packing ring	1				
28	870238	Spray tank lid	1				
29	994863	Packing ring ø 367 x 6.99	1				
30	870253	Float	1				
31	870261	Breather assembly	1				
32	870279	Lid seat	1				
33	870212	Articulation pin	1				
34	870287	Coupling nut	1				
35	870295	Deflector	1				
36	912790	Hex. nut 1/2" - 13 UNC	2				
37	016963	Lid protection	1				
38	443713	Screw M6 x 40 x 1.00	1				
39	521666	Lock washer M6	1				
40	810689	Hex. nut M6 x 1.00	1				

SPRAY PUMP JP-190 S



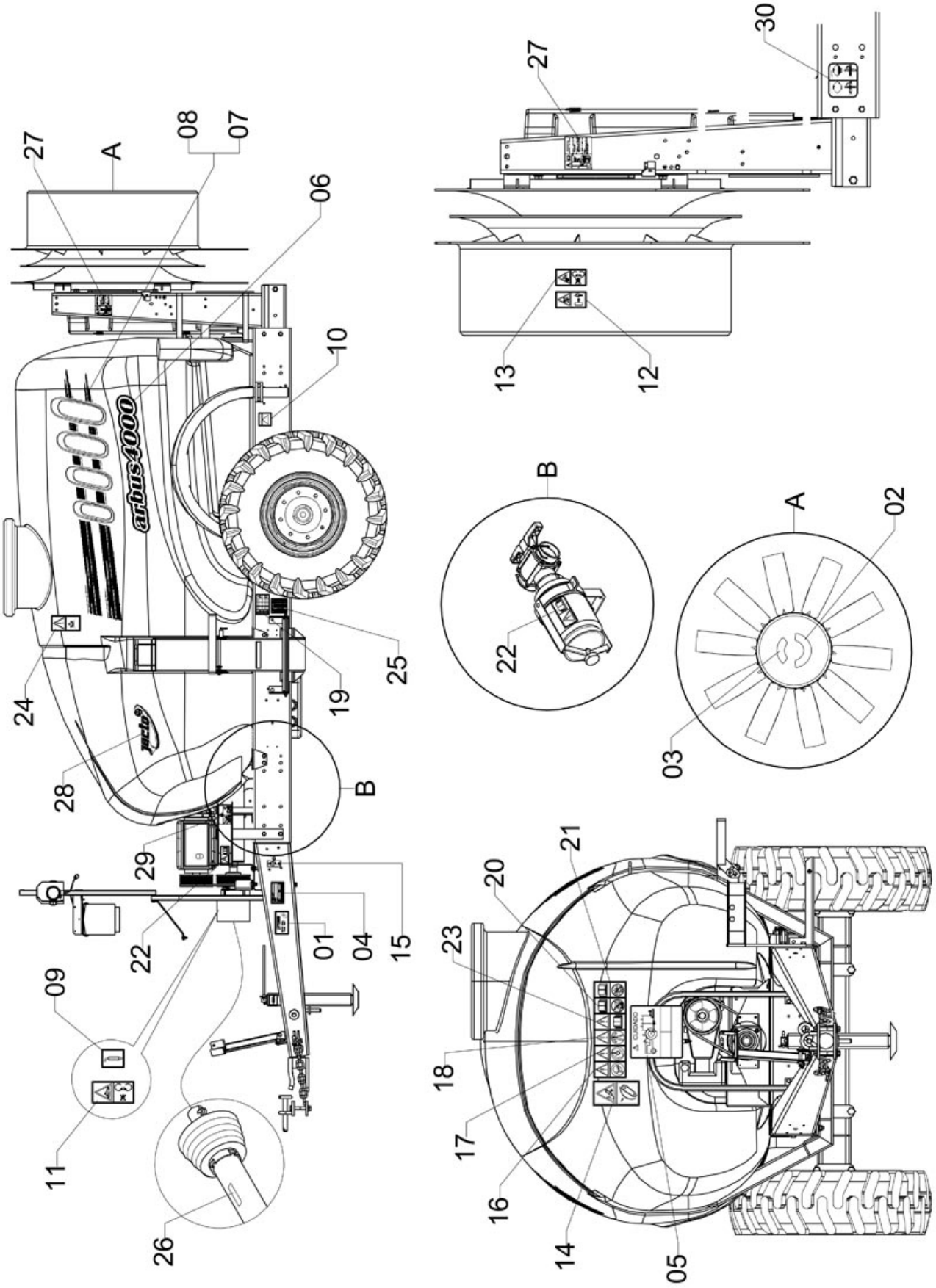
B-87

SPRAY PUMP JP-190 S

Continuation

Item	CODE	DESCRIPTION	Qty.	Item	CODE	DESCRIPTION	Qty.
00	694315	Spray pump JP-190 S	1				
01	322669	Pump body	1				
02	038778	Connecting rod assembly	3				
03	917492	Hex. bolt \varnothing 3/8" - 16 UNC x 2"	6				
04	908566	Lock washer \varnothing 3/8"	6				
05	624130	Flat washer 105 x 180 x 16	6				
06	322933	Guide with rode	3				
07	322909	Connecting rod shaft	3				
08	240838	Crankshaft	1				
09	325506	Bearing 6310	2				
10	323170	Retainer 01920	2				
11	322883	Packing 110 x 145 x 0.4	2				
12	322610	Bearing flange	2				
13	519736	Lock washer M8	18				
14	663153	Hex. bolt 5/16" - 18 UNC x 3/4"	18				
15	322834	Packing 132 x 262 x 1.59	1				
16	322776	Pump cover	1				
17	322867	Packing	6				
18	322826	Sleeve guide	3				
19	323188	Retainer 72	3				
20	916775	Snap ring for hole \varnothing 40	3				
21	322925	Sleeve (alumina)	3				
22	581363	Piston cup	6				
23	585604	Piston cup base	3				
24	585588	Piston cup spacer	3				
25	585638	Locking screw 1/2" UNF x 15 (stainless)	3				
26	120071	O-ring ORI - 015	3				
27	585596	Piston cup fastener	3				
28	585612	Hex. nut 1/2" UNF (stainless)	3				
29	322875	Seal washer	3				
30	322735	Pump head	1				
31	587378	Pump valve 24 "D"	6				
31A	323014	Packing ring \varnothing 47 x 35,5 x 9	6				
32	322891	Stud bolt \varnothing 5/8" - 11 UNC x 240 - stainless steel	4				
33	764142	Lock washer M16	4				
34	916734	Hex. nut 5/8" - 11 UNC	4				
35	044487	Valves cover	1				
36	328799	Valves cover (suction)	1				
37	429258	Screw \varnothing 1/2" - 13 UNC x 3" - stainless steel	1				
38	908582	Lock washer 1/2"	8				
39	328542	Plug \varnothing 3/4" BSP	1				
40	012724	O-ring ORI-119	1				
41	520775	Drain plug 1/4" BSP	1				
42	325290	O-ring OR1-112	1				
43	427948	Plug \varnothing 1.1/2" BSP	2				
44	322842	Scraper ring	3				
45	213736	Plug 1/2" BSP	1				
46	210146	O-ring OR1-117	1				
47	323006	Valve ring	1				
48	587360	Stainless compressing spring	1				
49	323030	Disk	1				
50	323022	Valve seat	1				
51	587212	Gage	1				
52	692491	Repair kit VIII	1				
	109587	Round head rivet	4				
	650093	Identification plate	1				
	824201	Lubricating oil - Texaco	1				
	959957	Sticker: "Keep oil on level"	1				

STICKER: "ARBUS 4000 SE"



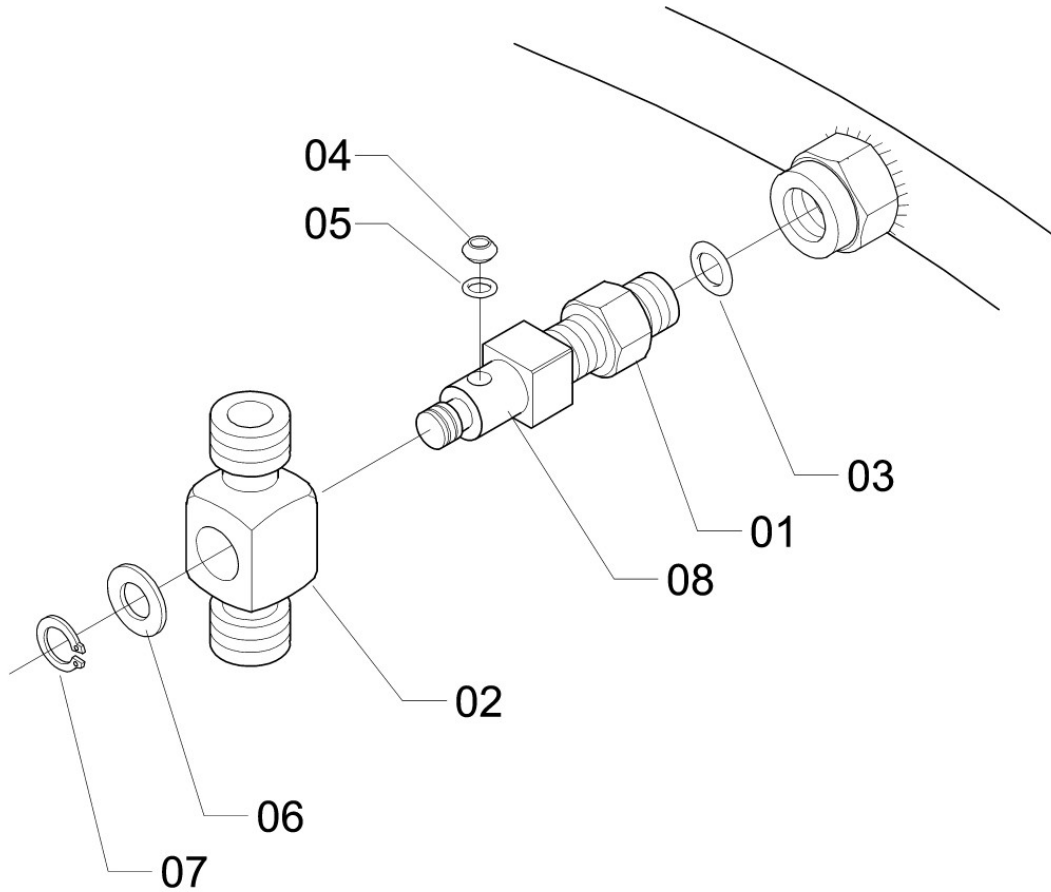
ADS-72

STICKER: "ARBUS 4000 SE"

Continuation

Item	CODE	DESCRIPTION	Qty.	Item	CODE	DESCRIPTION	Qty.
00	784223	Sticker: "ARBUS 4000 SE"	1				
01	013169	Sticker: "OK- FINAL TEST"	1				
02	018705	Sticker: "Fan lock instructions"	1				
03	039222	Sticker: "850"	1				
04	047035	Sticker: "Table - (Identification Plate)"	1				
05	219717	Sticker: Drawbar adjustment (Spanish)	1				
06	230268	Sticker: ARBUS 4000	2				
07	230276	Sticker: Stripe for tank 4000 - right	1				
08	230318	Sticker: Stripe for tank 4000 - left	1				
09	276220	Sticker: "Lubrication Point Indication"	5				
10	276238	Sticker: "Jack Positioning Indication"	2				
11	379008	Sticker: "Danger - PTO Shaft"	1				
12	379040	Sticker: "Attention - Keep at a Distance"	1				
13	379057	Sticker: "Keep at a Distance - Fan"	1				
14	379065	Sticker: "Keep all shields in place"	1				
15	379073	Sticker: "Tank - Water for Washing Hands"	1				
16	379115	Sticker: "Obligatory Use of Respirator"	1				
17	379123	Sticker: "Obligatory Use of Hearing Protection"	1				
18	379131	Sticker: "Obligatory Use of Protective Clothing"	1				
19	379164	Sticker: "Nut Torque"	2				
20	379214	Sticker: "Maximum Speed 30 KM/H"	1				
21	379222	Sticker: "This Machine Is Not Allowed In Highways"	1				
22	379230	Sticker: "Read Manual" Horizontal	2				
23	379248	Sticker: "Read Manual" Vertical	1				
24	380014	Sticker: "Attention: Do Not Get Into The Tank"	1				
25	391631	Sticker: "Tire Pressure Indication"	2				
26	428631	Sticker: Pto shaft instructions	1				
27	515601	"Procedure for belts tension" decal	2				
28	949479	Sticker: "logotype"	2				
29	169128	Sticker: "Chemical container rinse nozzle"	1				
30	396168	"Quick fitting - valve position" decal	1				

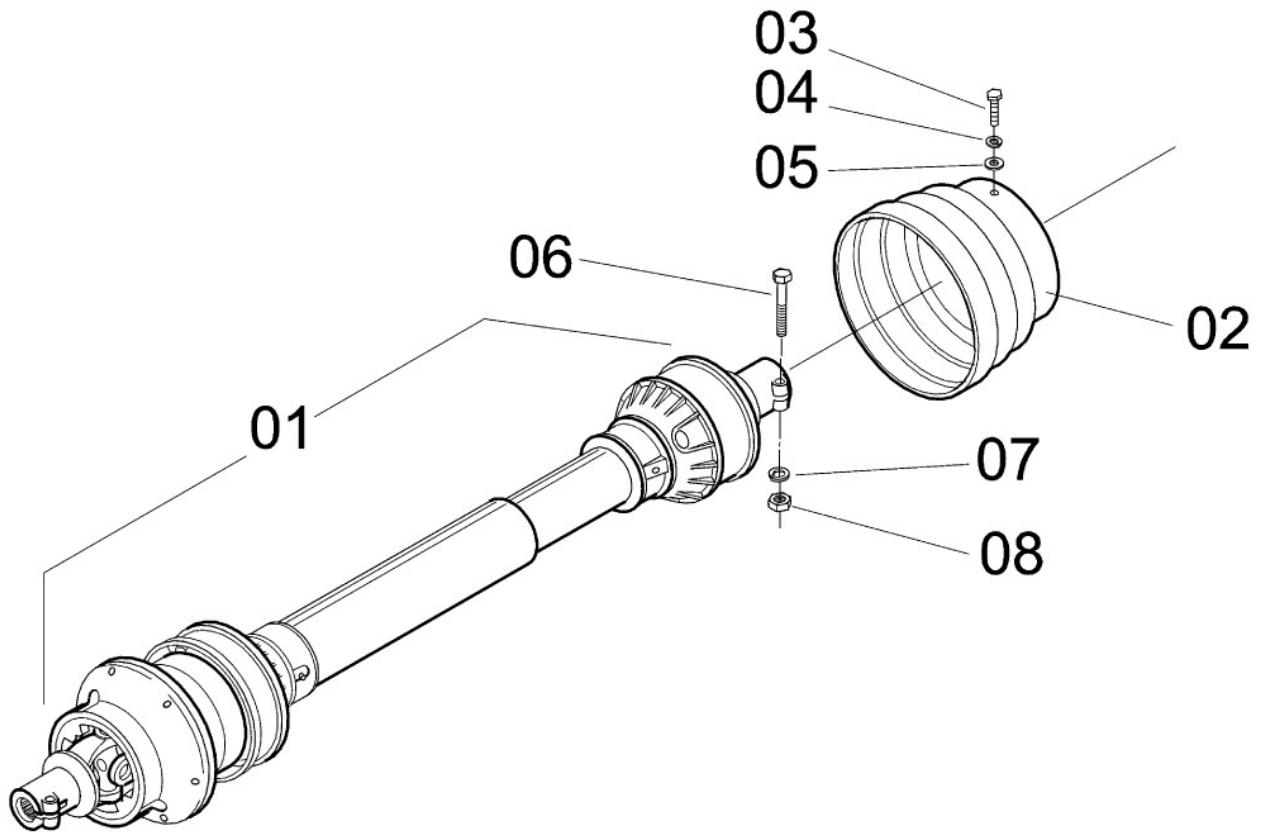
DOUBLE NOZZLE HOLDER



BC-36

Item	CODE	DESCRIPTION	Qty.	Item	CODE	DESCRIPTION	Qty.
00	340802	Double nozzle holder	1				
01	441154	Nut \varnothing 1/4" BSP - 18 F.P.P.	1				
02	340810	Double nozzle holder	1				
03	120097	O-ring ORI - 013	1				
04	340828	Seal	1				
05	340851	O-ring OR2 - 201	1				
06	340836	Wavy washer	1				
07	340844	Snap ring for shaft \varnothing 10	1				
08	454991	Nozzle holder support 51.5	1				

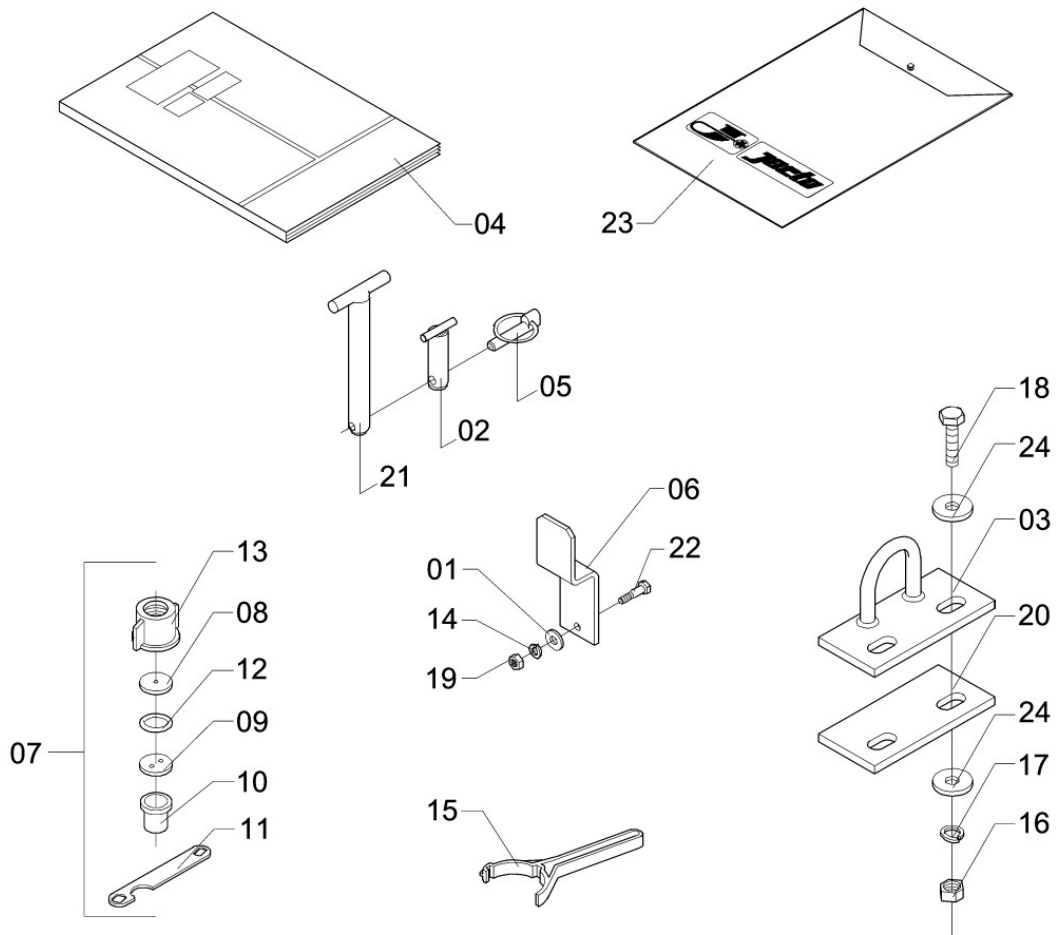
C.V. PTO SHAFT 1250 WITH PROTECTION



CN-20

Item	CODE	DESCRIPTION	Qty.	Item	CODE	DESCRIPTION	Qty.
00	278440	C.V. PTO Shaft 1250 with Protection	1				
01	998260	Wide angle CV PTO shaft - Z = 6 x 35	1				
02	118224	Cross shield	1				
03	829507	Hex. head bolt M6 x 16 x 1.00	3				
04	521666	Lock washer M6	3				
05	358267	Flat washer 64 x 125 x 16	3				
06	364166	Hex. head bolt M12 x 80 x 1,50	1				
07	209163	Lock washer M12	1				
08	427013	Nut ABTN - 1020 thread M12 x 1,50	1				
	039396	Sticker: "PTO shaft protection"	1				

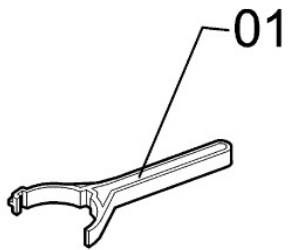
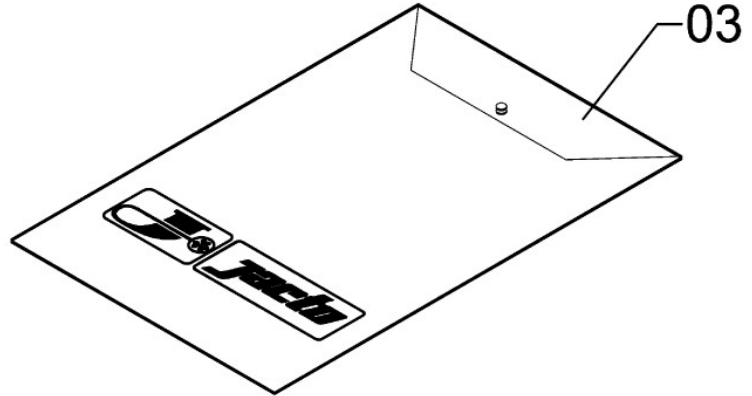
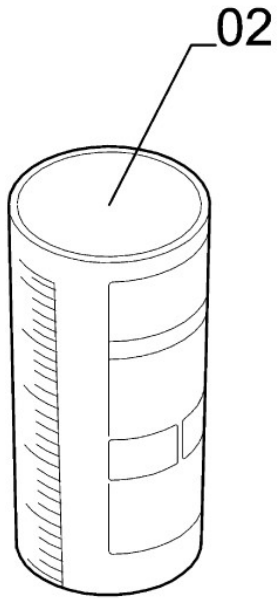
ACCESSORIES BOX FOR A-4000 VA J42/J52/J53/J63



CXA-189

Item	CODE	DESCRIPTION	Qty.	Item	CODE	DESCRIPTION	Qty.
00	896126	Accessories box for A-4000 VA J42/J52/J53/J63	1	21	824003	Tee pin	1
01	013433	Flat washer	2	22	829382	Hex head bolt M8 x 25 x 1.25	2
02	118190	Chain fastening pin	1	23	867127	Plastic folder	1
03	118208	Belt positioner	1	24	881300	Flat washer 170 x 380 x 3.0	4
04	158576	Operator's manual-Chemical container rinse nozzle	1				
05	330407	Universal lock pin 5/16"	2				
06	431718	Operating holder	1				
07	484741	Nozzles J4-2/J5-2/J5-3/J6-3	1				
08	325332	Disk J-4	17				
08A	325340	Disk J-5	34				
08B	325357	Disk J-6	17				
09	325373	Swirl core J-2	34				
09A	325977	Swirl core J-3	34				
10	330928	Nozzle seat	68				
11	436493	Flat fan nozzle aligner	1				
12	642462	Spacer ring	68				
13	710590	Nozzle cap	68				
14	519736	Lock washer M8	2				
15	703694	Key 40-45	1				
16	742015	Nut M16 x 1.50	1				
17	764142	Lock washer M16	2				
18	764225	Screw M16 x 90 x 2.00	2				
19	810770	Hex. nut M-8 x 1.25	2				
20	819680	Chain holder clip plate	1				

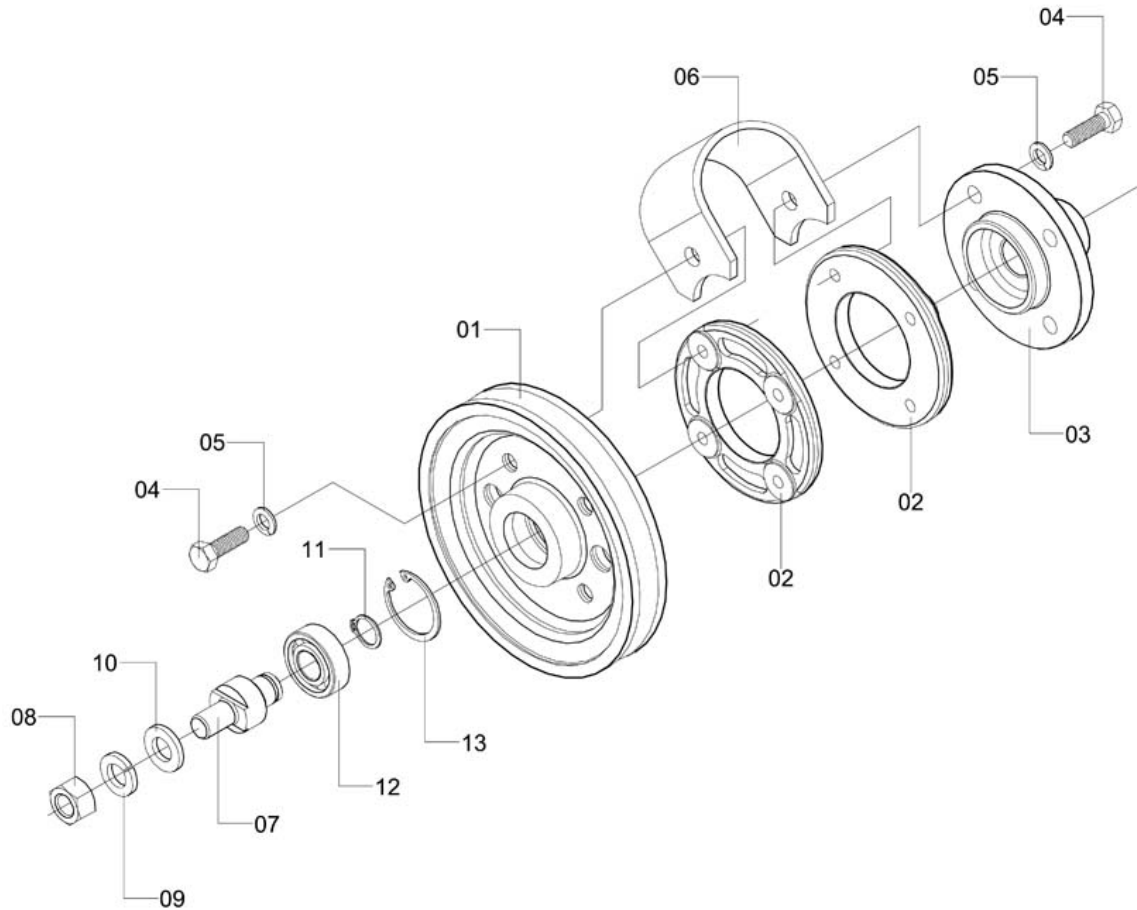
ACCESSORIES BOX A-1000 EA



CXA-134

Item	CODE	DESCRIPTION	Qty.	Item	CODE	DESCRIPTION	Qty.
00	682013	Accessories box A-1000 EA	1				
01	703694	Key 40-45	1				
02	767061	Flow calibrator bottle	1				
03	867127	Plastic folder	1				

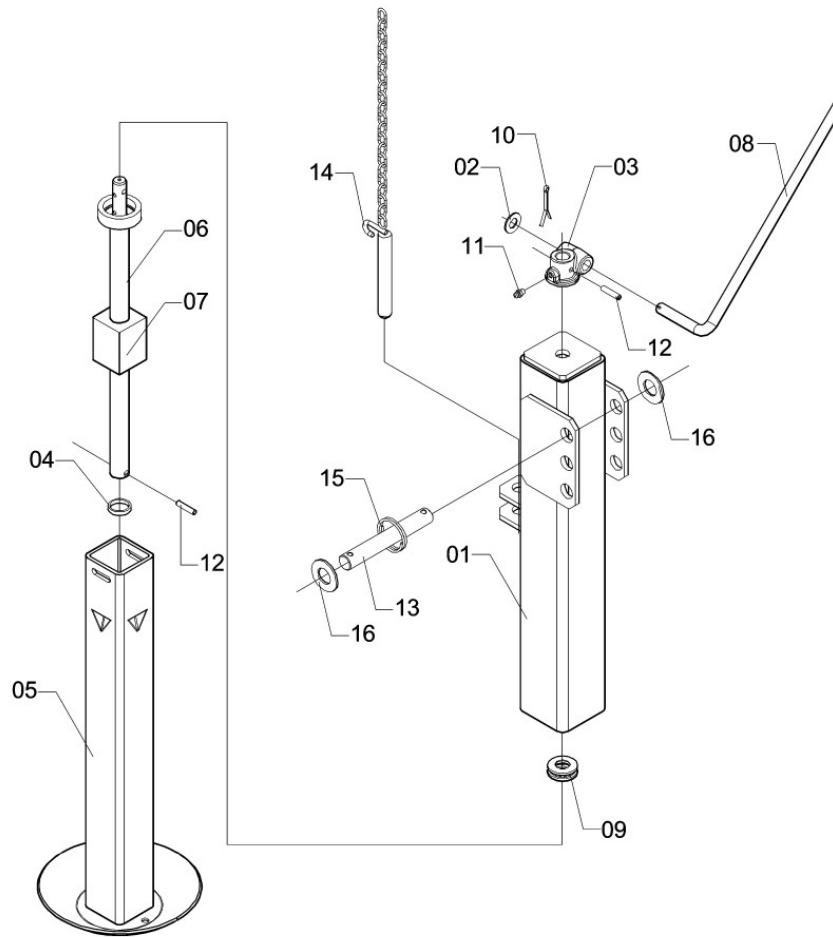
FLEXIBLE COUPLING 9



LE-12

Item	CODE	DESCRIPTION	Qty.	Item	CODE	DESCRIPTION	Qty.
00	727925	Flexible coupling 9	1				
01	727917	Pulley \varnothing 146-1A	1				
02	326462	Ring	2				
03	326470	Hub \varnothing 19	1				
04	836502	Screw 5/16" - 18 UNC x 1"	8				
05	519736	Lock washer M8	8				
06	326447	Flexible link 125	4				
07	817627	Tightening pulley shaft 15 x 50.5	1				
08	912790	Hex. nut 1/2" - 13 UNC	1				
09	908582	Lock washer 1/2"	1				
10	818112	Flat washer 130 x 240 x 30	1				
11	910851	Snap ring for shaft 15	1				
12	328781	Fixed bearing	1				
13	845412	Snap ring for hole \varnothing 35	1				

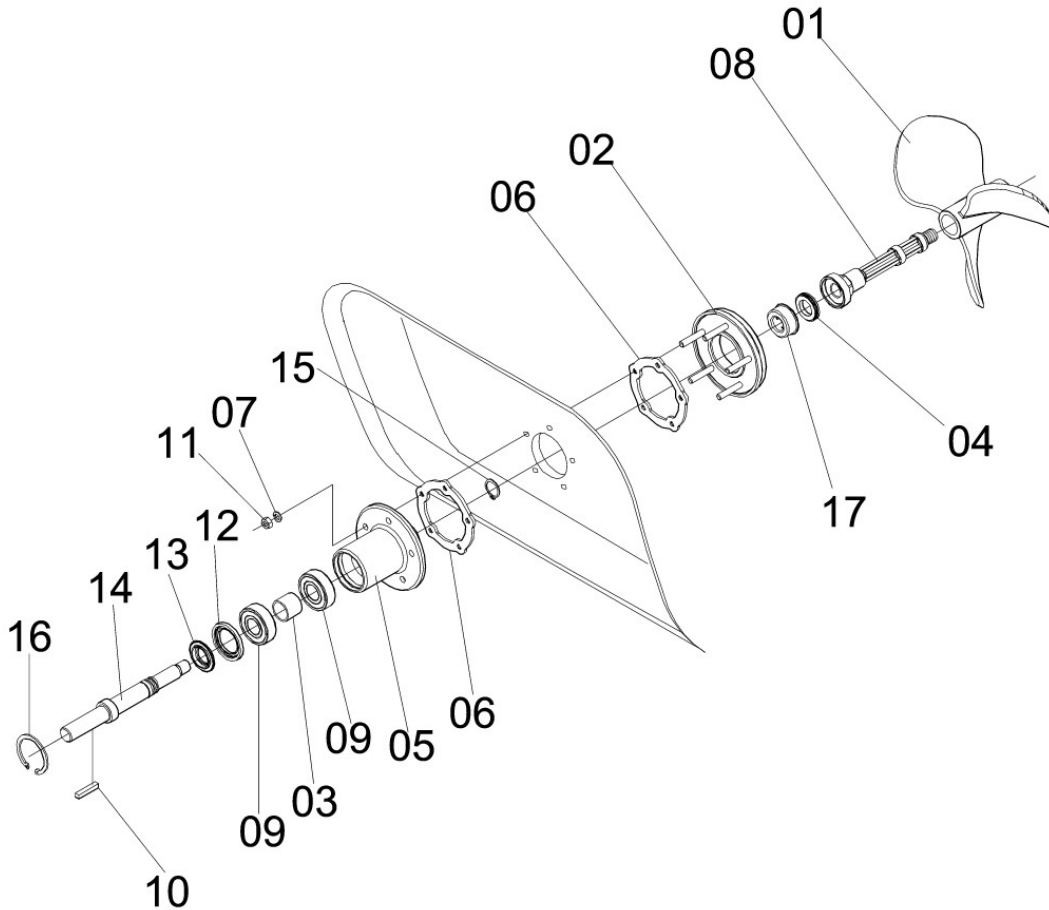
JACK 3000



MC-13

Item	CODE	DESCRIPTION	Qty.	Item	CODE	DESCRIPTION	Qty.
00	269969	Jack 3000	1				
01	092361	Jack body	1				
02	315002	Flat washer 130 x 254 x 15	1				
03	330043	Bolt head	1				
04	429803	Seat ring	1				
05	530410	Sliding bar	1				
06	530444	Bolt \varnothing 7/8" x 420	1				
07	530469	Square nut	1				
08	530477	Jack lever	1				
09	546465	Thrust ball bearing	1				
10	910240	Cotter pin \varnothing 3.18 x 25.4	1				
11	910463	Grease nipple 1/4" - 28 UNF	1				
12	910802	Flexible pin \varnothing 6 x 28	2				
13	533117	Upper pin	1				
14	533125	Lock pin	1				
15	012146	Ring \varnothing 40	1				
16	881243	Flat washer 170 x 300 x 19	2				

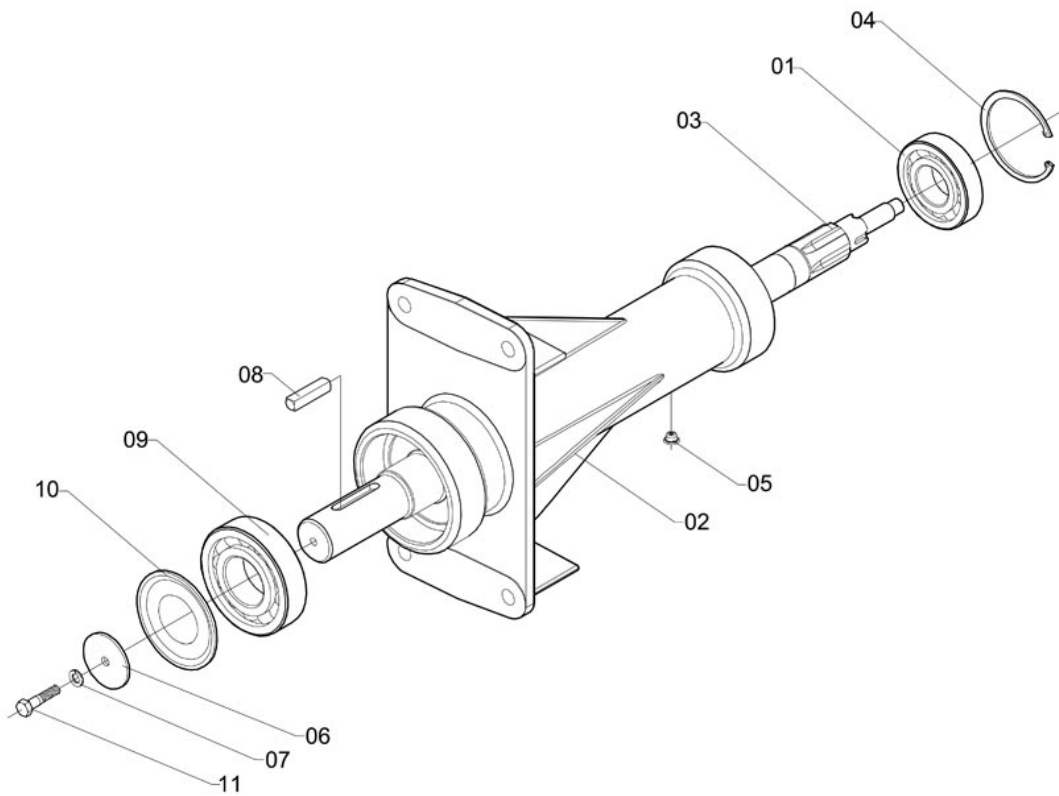
MECHANICAL AGITATOR 2005 - 02



MM-27

Item	CODE	DESCRIPTION	Qty.	Item	CODE	DESCRIPTION	Qty.
00	543348	Mechanical agitator 2005 - 02	1				
01	102848	Agitator propeller	1				
02	345272	Internal flange	1				
03	408666	Bearing spacer bushing	1				
04	418046	Ceramic ring	1				
05	513838	Agitator body	1				
06	514612	Agitator seal joint	2				
07	521666	Lock washer M6	5				
08	559849	Propeller shaft	1				
09	603522	Fixed bearing with 1 ball career	2				
10	419416	Square key 3/16" x 38	1				
11	730309	Hex. nut M6 x 1.00 - Steel	5				
12	838201	Bearing internal protection	1				
13	850750	Bearing external protection	1				
14	813261	Agitator shaft	1				
15	913517	Snap ring for shaft ø 17	1				
16	916775	Snap ring for hole ø 40	1				
17	932038	Mechanic seal - Viton 42012 - stainless steel	1				

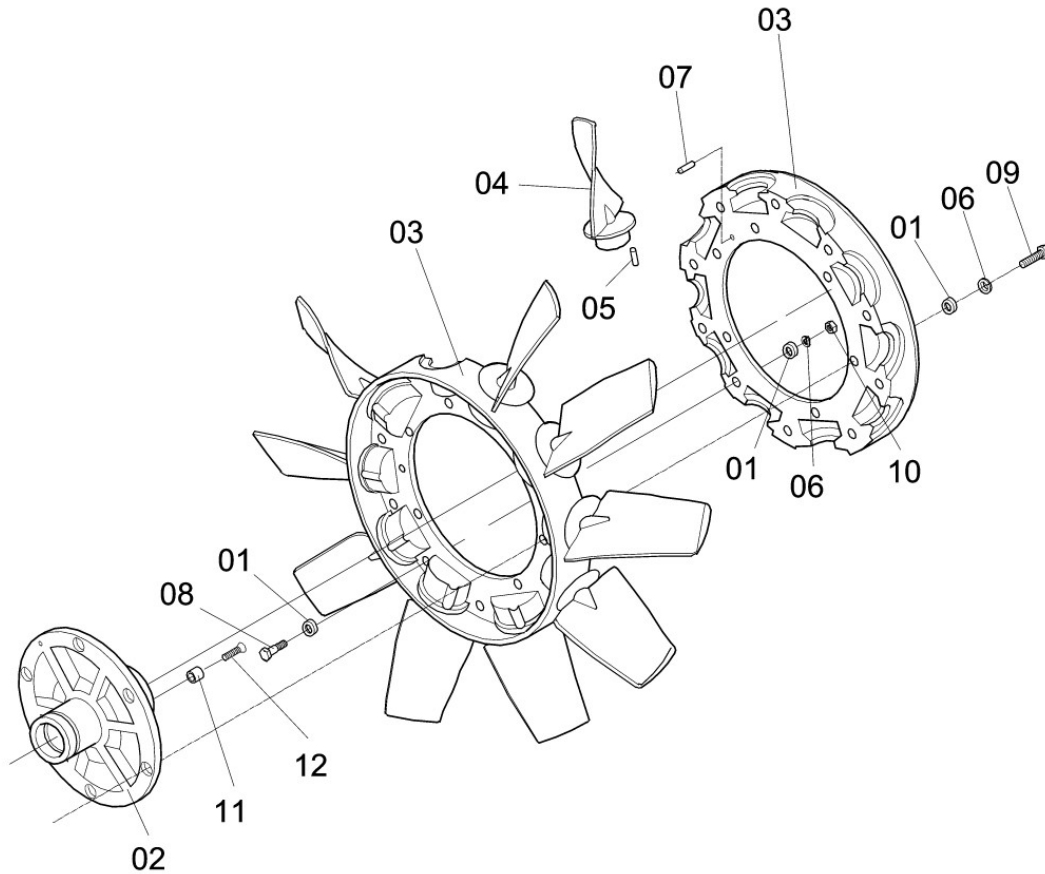
BEARING NO. 31



TMV-44

Item	CODE	DESCRIPTION	Qty.	Item	CODE	DESCRIPTION	Qty.
00	363598	Bearing no. 31	1				
01	203737	Fixed bearing	1				
02	228767	Transmission bearing	1				
03	228775	Axle 719	1				
04	324145	Snap ring for hole ø 80	1				
05	430652	Bearing breather	1				
06	507665	Flat washer 82 x 506 x 30	1				
07	519736	Lock washer M8	1				
08	519793	Square key - 9.53 (3/8") x 45	1				
09	728899	Fixed bearing	1				
10	728907	Packing ring	1				
11	037258	Hex head bolt M 8 x 20 x 1.00 RT CL 10.9	1				

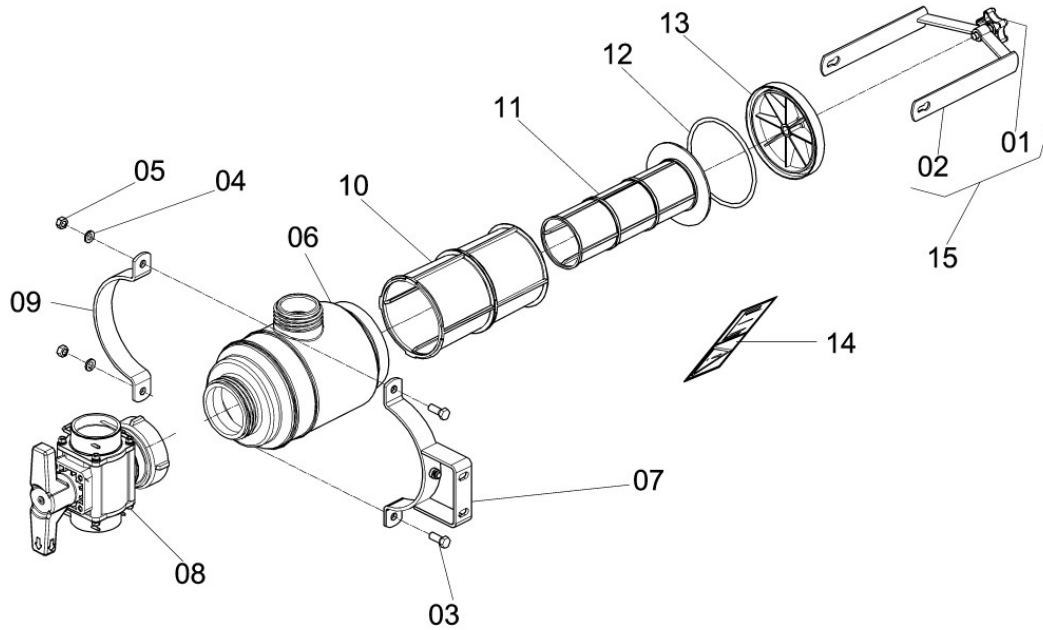
FAN ASSEMBLY



V-11

Item	CODE	DESCRIPTION	Qty.	Item	CODE	DESCRIPTION	Qty.
00	348995	Fan assembly	1				
01	013433	Flat washer	26				
02	018481	Flange hub	1				
03	018663	Blade fastening flange (outer)	2				
04	038661	Fan blade 850	10				
05	298182	Pin \varnothing 8.40 x 14	10				
06	519736	Lock washer M8	16				
07	625533	Flexible pin (heavy) 4 x 24	1				
08	721704	Hex. bolt 5/16" UNC 1.1/4"	6				
09	826693	Bolt \varnothing 5/16" x 1.1/2"	10				
10	912758	Hex. nut 5/16" - 18 UNC	10				
11	937607	Bushing \varnothing 17.6 x 16	8				
12	939140	Screw M6 x 16	8				

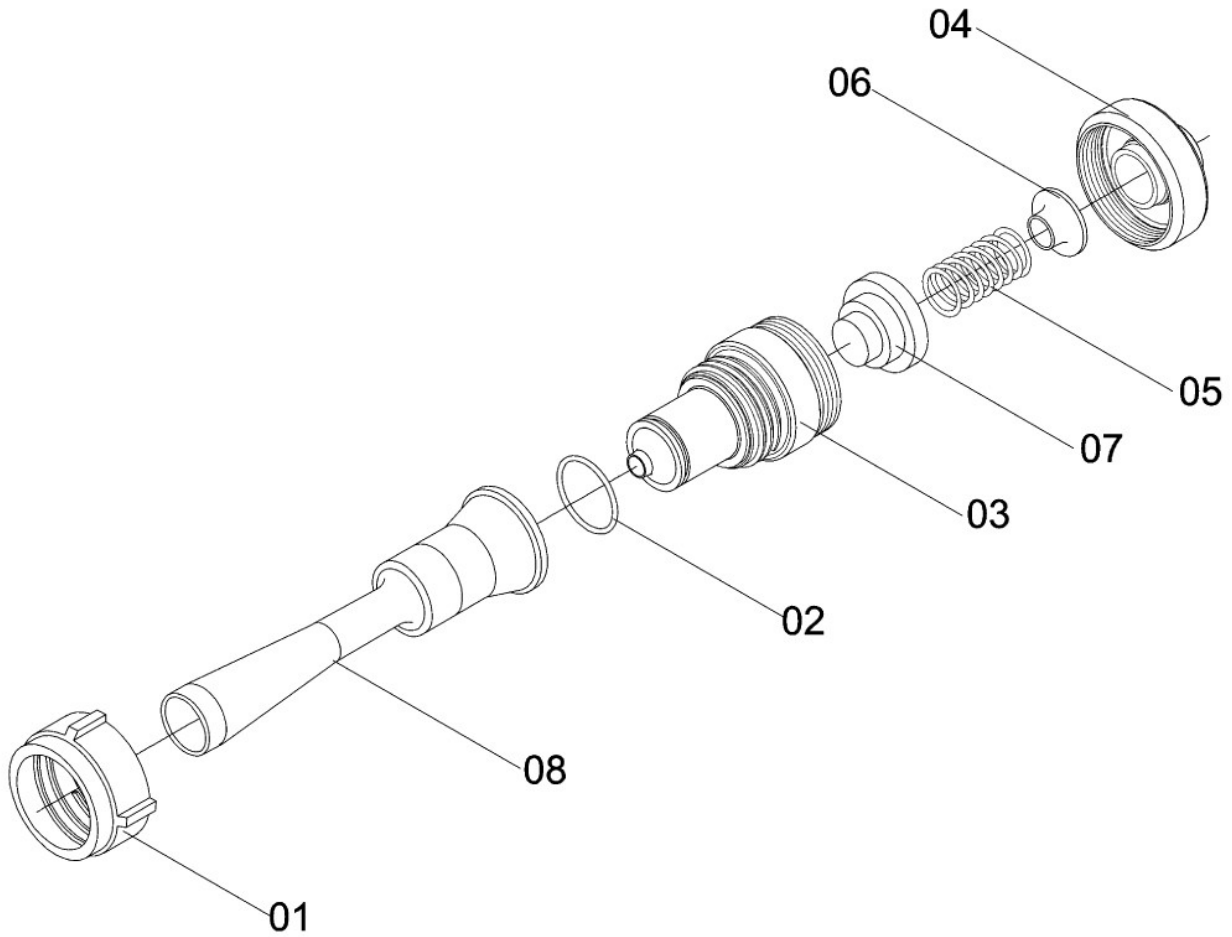
SUCTION FILTER WITH VALVE 200 L/MIN



F-30

Item	CODE	DESCRIPTION	Qty.	Item	CODE	DESCRIPTION	Qty.
00	279844	Suction filter with valve 200 L/min	1				
01	011734	Bolt with knob	1				
02	817403	Handle	1				
03	168070	Hex. head bolt M 10 x 25 x 1,25	2				
04	209395	Lock washer M10	2				
05	907030	Hex. nut M10 x 1.25	2				
06	941336	Suction filter body	1				
07	732115	Half-strap with support	1				
08	287953	3-way valve - Model B	1				
09	817379	Suction filter half-strap	1				
10	817346	Double filtering element 430	1				
11	817353	Triple filtering element 820 with flange	1				
12	472597	Packing ring ø 136	1				
13	817395	Cover with seat	1				
14	379230	Sticker: "Read Operator's Manual - Horizontal"	1				
15	834069	Handle assembly					

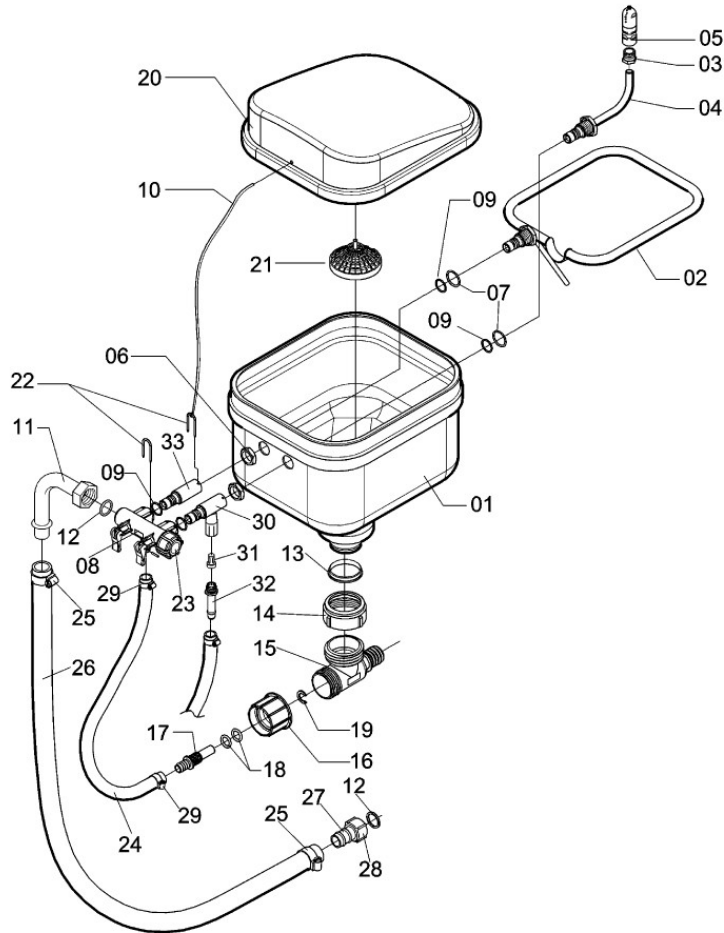
HYDRAULIC AGITATOR NO. 9



MM-17

Item	CODE	DESCRIPTION	Qty.	Item	CODE	DESCRIPTION	Qty.
00	379974	Hydraulic agitator no. 9	1				
01	005900	Coupling nut	1				
02	106948	O-ring OR1-130	1				
03	377507	Internal Venturi	1				
04	377515	Venturi Fastener	1				
05	535831	Compression spring	1				
06	573683	Spring guide	1				
07	573691	Valve base	1				
08	764381	Agitator venturi	1				

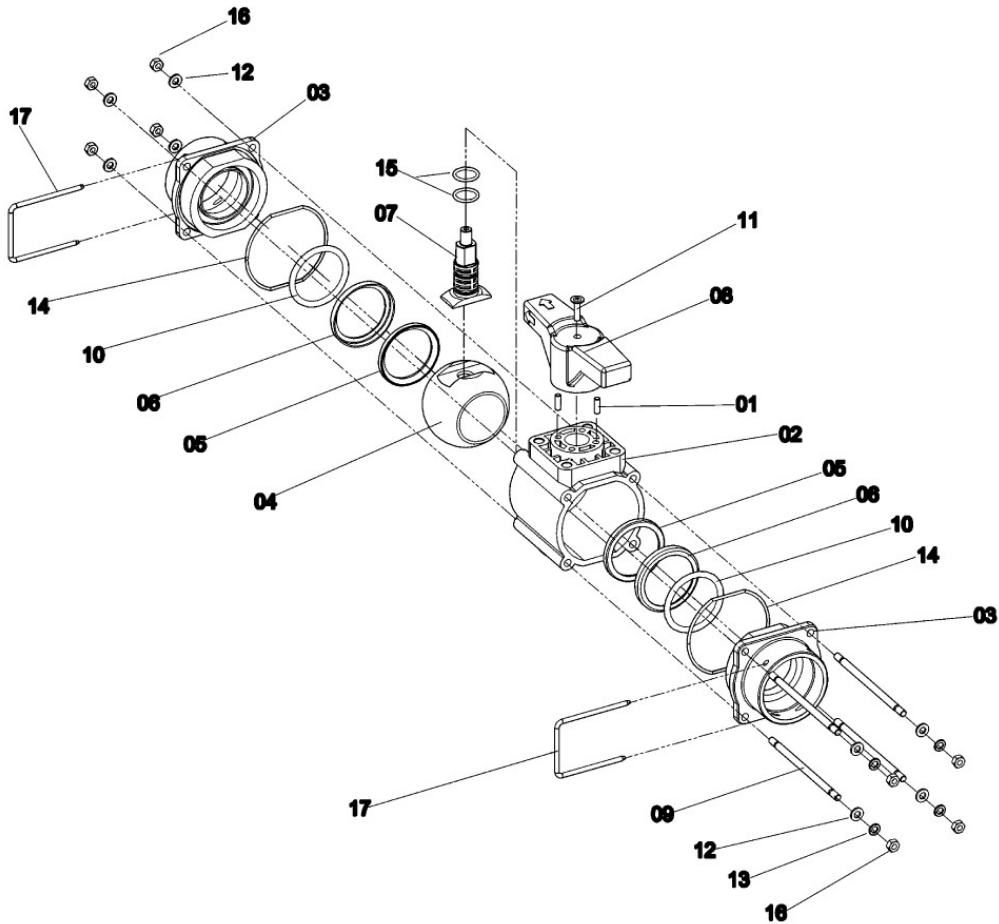
CHEMICALS MIXER 150/190



KIT-51

Item	CODE	DESCRIPTION	Qty.	Item	CODE	DESCRIPTION	Qty.
00	088336	Chemicals mixer 150/190	1	25	330969	Clamp D25-38 - stainless steel	2
01	088302	Chemicals mixer body	1	26	763524	Hose Ø 3/4" x 2000	1
02	050658	Chemical induction hopper tube	1	27	615419	Fitting for Hose ø 19 (3/4")	1
03	088310	Adaptor 1/2" BSP x 1/2" UNF	1	28	405753	Hex. nut 1" - 11 BSP	1
04	050591	Rinse nozzle	1	29	107664	Clamp D14-22 - stainless steel	2
05	071944	Rinse nozzle	1	30	362574	Adaptor with nozzle	1
06	615401	Hex. nut 1" - 12 UNF	2	31	230714	Nonreturn valve Ø 9 with packing	1
07	106955	O-ring OR1-120	2	32	362608	Nozzle 3/4" - 14 BSP	1
08	050682	Chemical induction hopper directional valve	1	33	362582	Adaptor body without nozzle	1
09	244459	O-ring OR1-113	4				
10	717496	Cord- ø 4.00 x 300	1				
11	841619	Elbow 3/4" x 90°	1				
12	108779	O-ring ORI - 118	1				
13	005918	Locking ring	1				
14	005900	Coupling nut	1				
15	048454	Venturi body	1				
16	048462	Lid	1				
17	078717	Fitting 10.5	1				
18	322057	O-ring ORI-114	2				
19	127290	Lock	1				
20	739888	Chemicals mixer cover	1				
21	614941	Sieve	1				
22	050229	U-shaped clamp 180 x 30	2				
23	867044	Nut for branch outlet	1				
24	702480	Hose 1/2" x 900 (supplied per m.)	1				

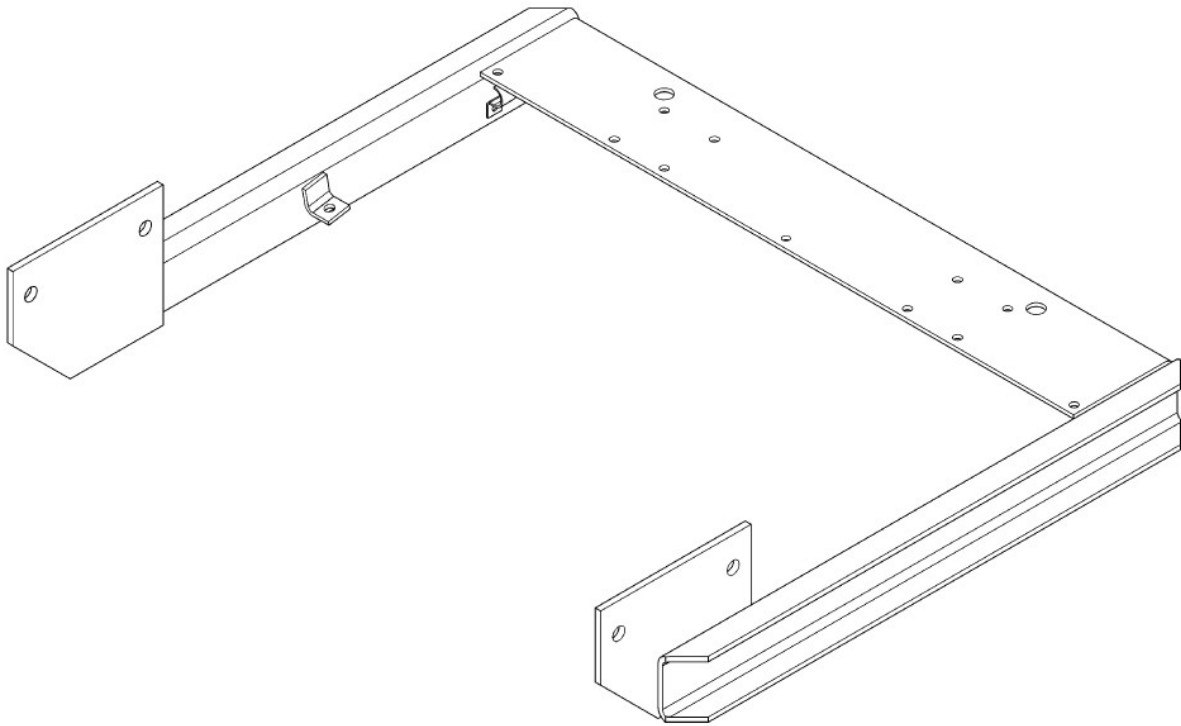
2-WAY VALVE - "C" MODEL



CV-151

Item	CODE	DESCRIPTION	Qty.	Item	CODE	DESCRIPTION	Qty.
00	391649	2-way valve - "C" model	1				
01	048132	Stop pin	2				
02	065862	2 - way valve body	1				
03	065912	Valve Flange	2				
04	065961	Ball - 3 way	1				
05	065995	Seal seat	2				
06	066001	Seat guide	2				
07	066027	Core dragging rod	1				
08	066035	Lever	1				
09	066076	Stud bolt M6 x 120 x 1,00 - Inox	4				
10	096032	Packing ring \varnothing 60,8 x 50,2	2				
11	281790	Self-tapping screw \varnothing 4 x 20	1				
12	358267	Flat washer 64 x 125 x 16	8				
13	521666	Lock washer M6	4				
14	737759	O-ring OR1-151	2				
15	763649	O-ring OR1-115	2				
16	810689	Hex. nut M6 x 1.00	8				
17	970103	Lock 56	2				

REAR BUMPER

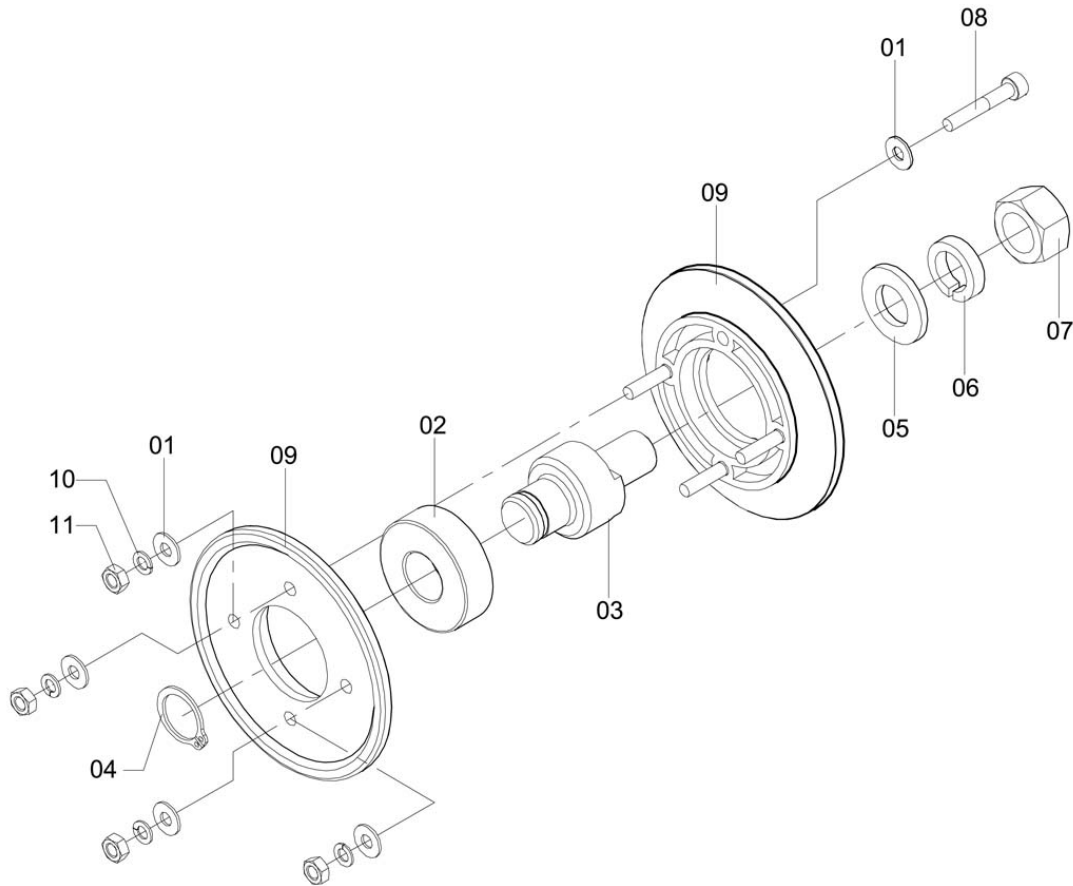


C-107

Item	CODE	DESCRIPTION	Qty.
00	941971	Rear bumper	1

Item	CODE	DESCRIPTION	Qty.

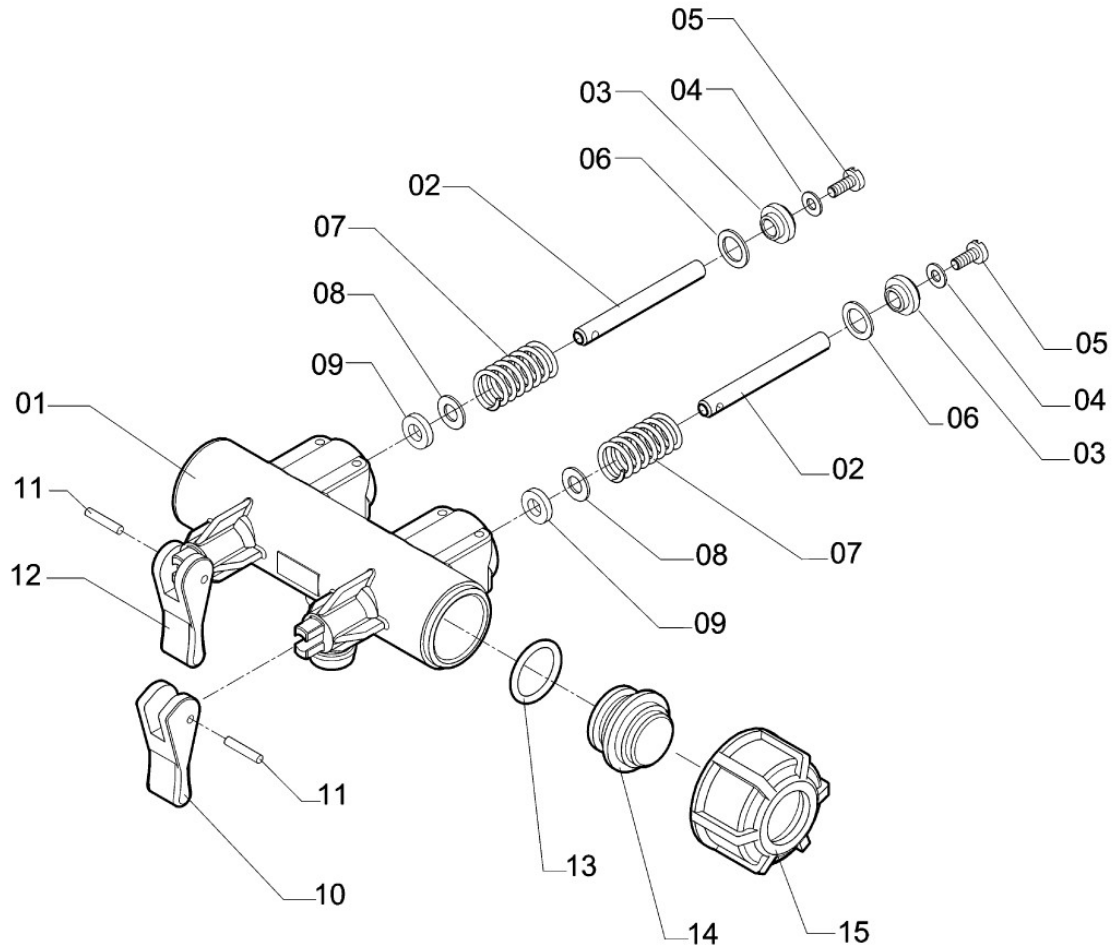
TIGHTENING PULLEY ASSEMBLY 78 (SHAFT Ø 15 X 50,5)



LE-14

Item	CODE	DESCRIPTION	Qty.	Item	CODE	DESCRIPTION	Qty.
00	645416	Tightening pulley assembly 78 (Shaft ø 15 x 50,5)	1				
01	508515	Flat washer no. 43 x 102 x 8	8				
02	328781	Fixed bearing	1				
03	817627	Tightening pulley shaft 15 x 50.5	1				
04	910851	Snap ring for shaft 15	1				
05	818112	Flat washer 130 x 240 x 30	1				
06	908582	Lock washer 1/2"	1				
07	912790	Hex. nut 1/2" - 13 UNC	1				
08	1148396	Screw M4 X 0.7 MM 25 Comp	4				
09	644641	Pulley disk ø 78 - 1A	2				
10	520700	Lock washer M4	4				
11	551523	Hex. nut M-4 x 0.7 stainless steel	4				

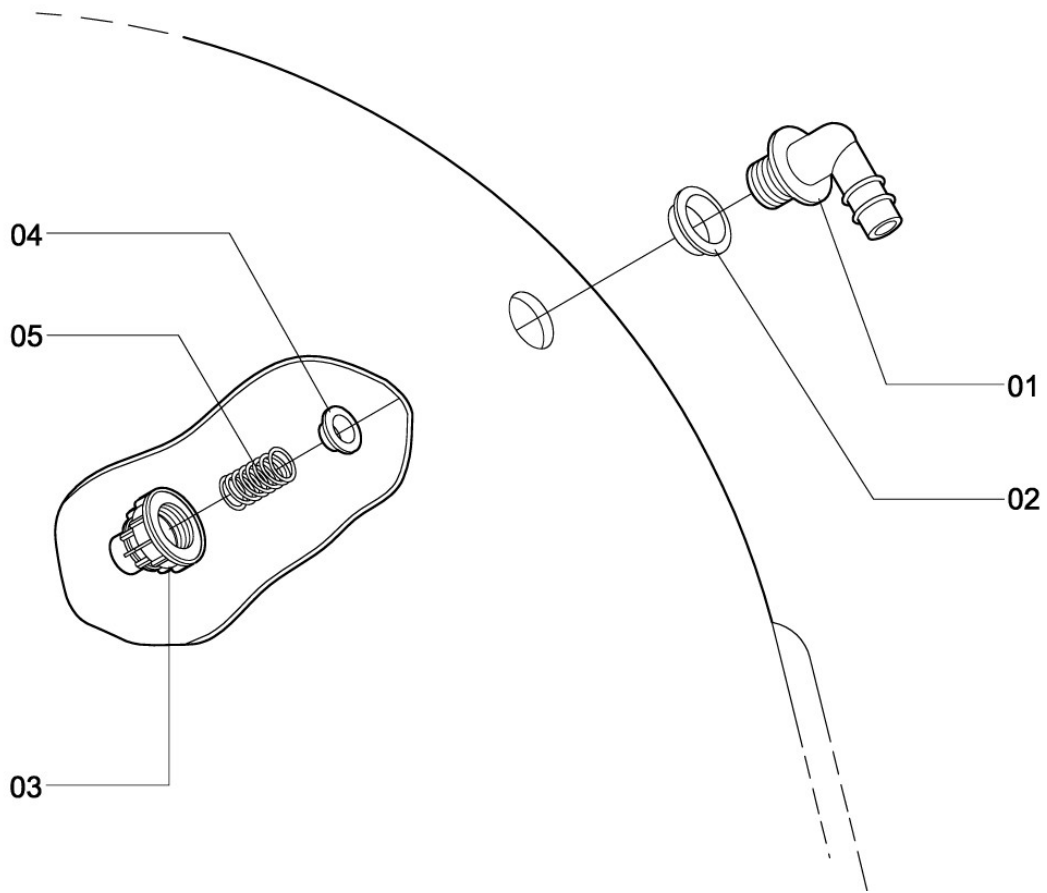
CHEMICAL INDUCTION HOPPER DIRECTIONAL VALVE



CV-208

Item	CODE	DESCRIPTION	Qty.	Item	CODE	DESCRIPTION	Qty.
00	050682	Chemical induction hopper directional valve	1				
01	049130	Valve body	1				
02	049841	Spring guide pin	2				
03	048199	Seal	2				
04	050187	Flat washer 43 x 90 x 8	2				
05	050211	Screw M4 x 8	2				
06	050203	Flat washer 94 x 142 x 95	2				
07	044057	Compression spring 12.7	2				
08	050195	Flat washer 64 x 125 x 95 stainless steel	2				
09	964189	Seal	2				
10	048140	Rinser nozzle valve lever	1				
11	049858	Lever pin	2				
12	048207	Chemicals mixer valve lever	1				
13	110494	O-ring OR1-116	1				
14	048181	Valve plug	1				
15	867044	Nut for branch outlet	1				

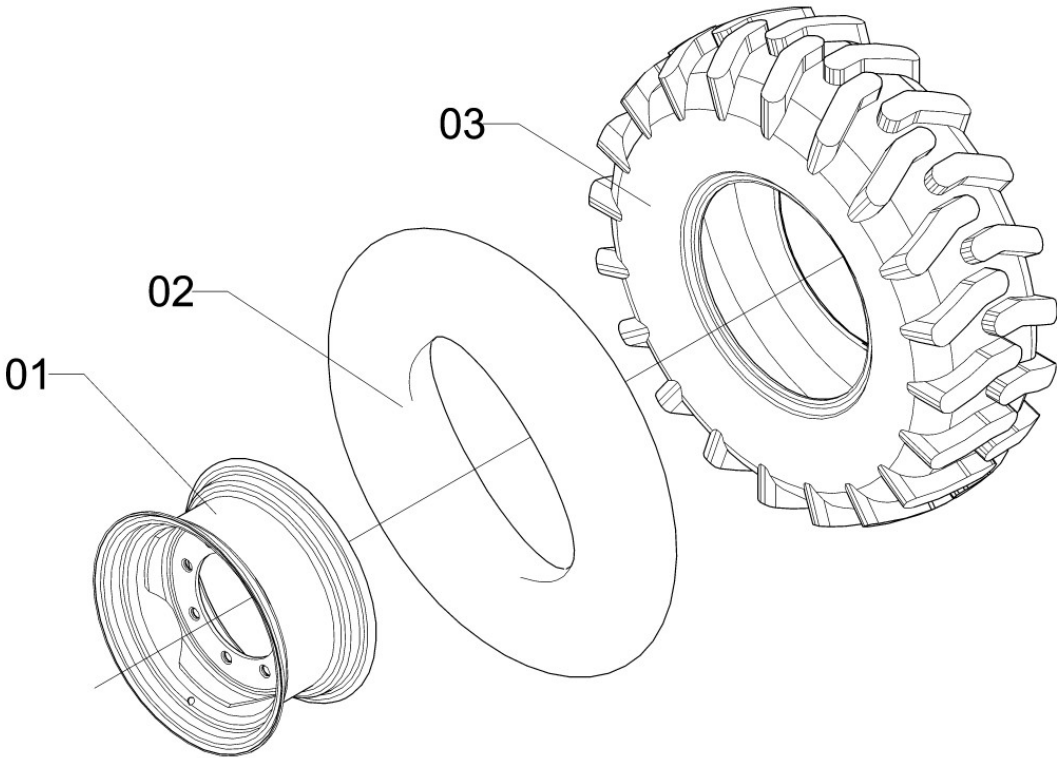
CHEMICALS MIXER NONRETURN VALVE



CV-99

Item	CODE	DESCRIPTION	Qty.	Item	CODE	DESCRIPTION	Qty.
00	573626	Chemicals mixer nonreturn valve	1				
01	573618	Elbow 1.1/4" BSP x 90°	1				
02	573634	Double seal	1				
03	573691	Valve base	1				
04	573683	Spring guide	1				
05	535831	Compression spring	1				

TIRE ASSEMBLY

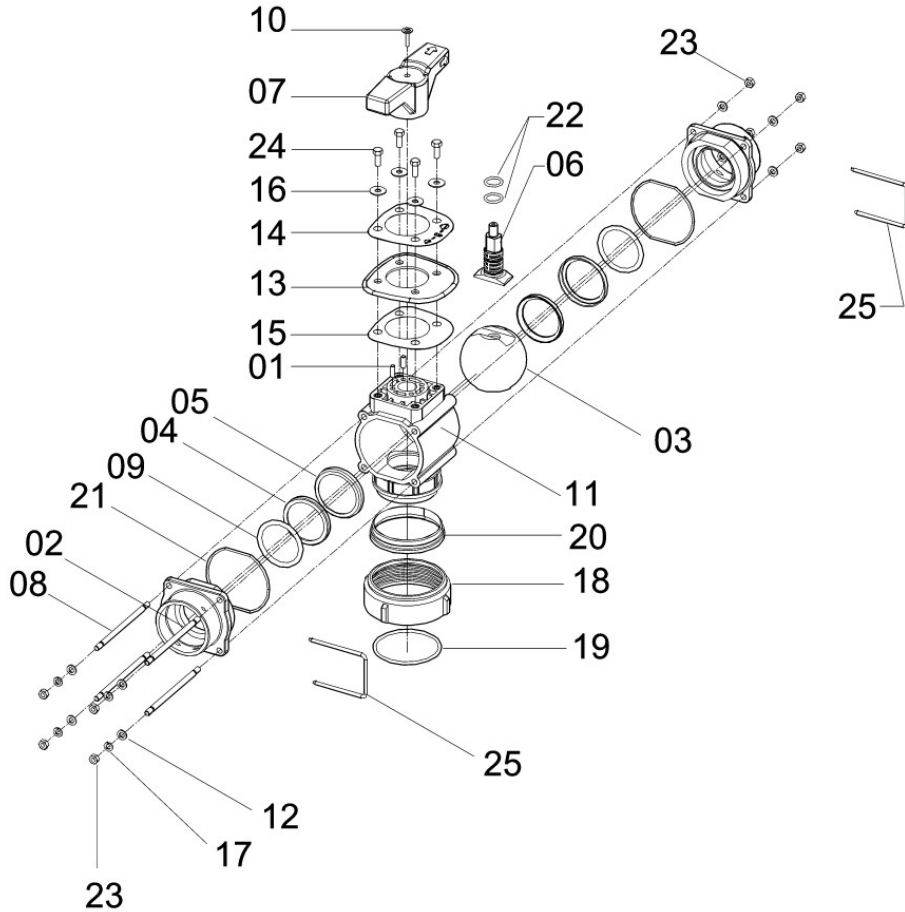


EX-81

Item	CODE	DESCRIPTION	Qty.
00	292664	Tire assembly	1
01	291237	Wheel W9 x 18	1
02	525641	Valve TR-415	1
03	291245	Tire 12.5/80-18	1

Item	CODE	DESCRIPTION	Qty.

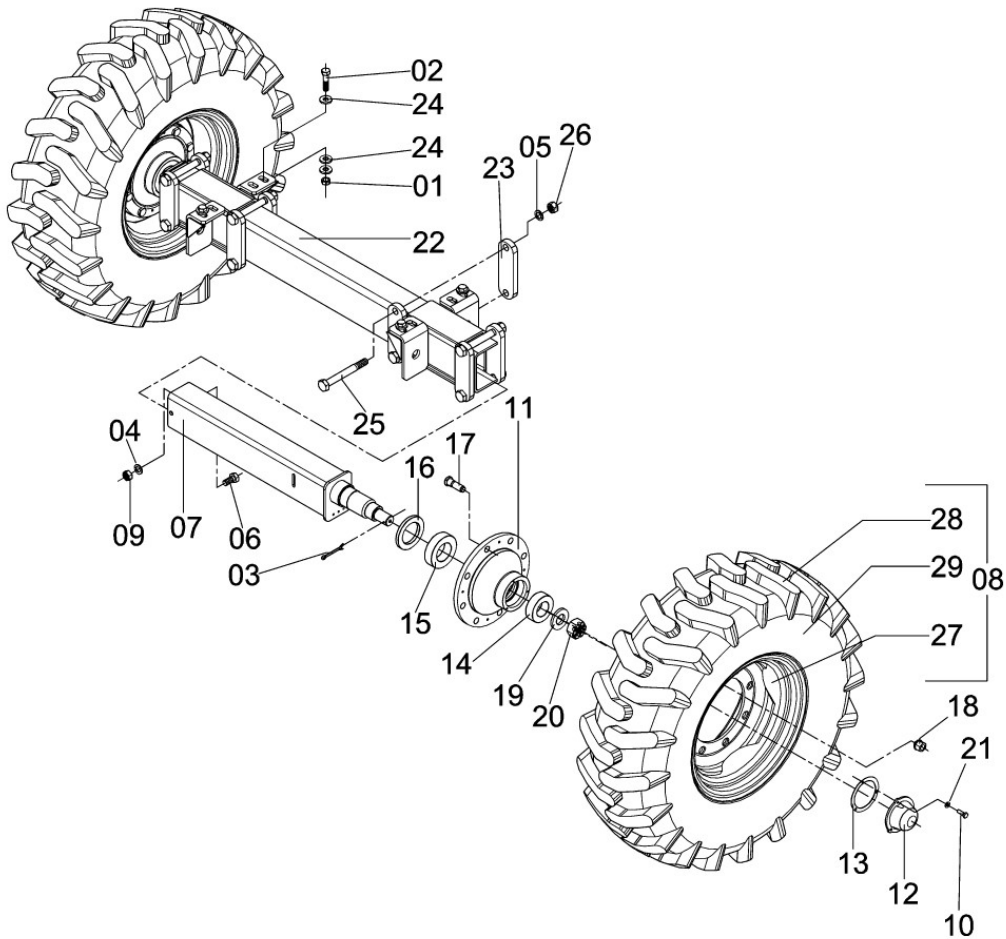
3-WAY VALVE - MODEL B



CV-244

Item	CODE	DESCRIPTION	Qty.	Item	CODE	DESCRIPTION	Qty.
00	287953	3-way valve - Model B	1				
01	048132	Stop pin	2				
02	065912	Valve Flange	2				
03	065953	Ball - 3-way	1				
04	065995	Seal seat	2				
05	066001	Seat guide	2				
06	066027	Core dragging rod	1				
07	066035	Level	1				
08	066076	Stud bolt M6 x 120 x 1,00 - Inox	4				
09	096032	Packing ring \varnothing 60,8 x 50,2	2				
10	281790	Self-tapping screw \varnothing 4 x 20	1				
11	287540	3-way Valve Body - Assembly	1				
12	358267	Flat washer 64 x 125 x 16	8				
13	378778	Stickers holder	1				
14	378786	Sticker: "Valve Operation" (Right)	1				
15	378794	Sticker: "Valve Operation" (Left)	1				
16	413468	Flat washer 68 x 190 x 12	4				
17	521666	Lock washer M6	4				
18	534453	Union nut	1				
19	592709	Packing ring OR1-233	1				
20	593673	Lock ring	1				
21	737759	O-ring OR1-151	2				
22	763649	O-ring OR1-115	2				
23	810689	Hex. nut M6 x 1.00	8				
24	829507	Hex. head bolt M6 x 16 x 1.00	4				
25	970103	Lock 56	2				

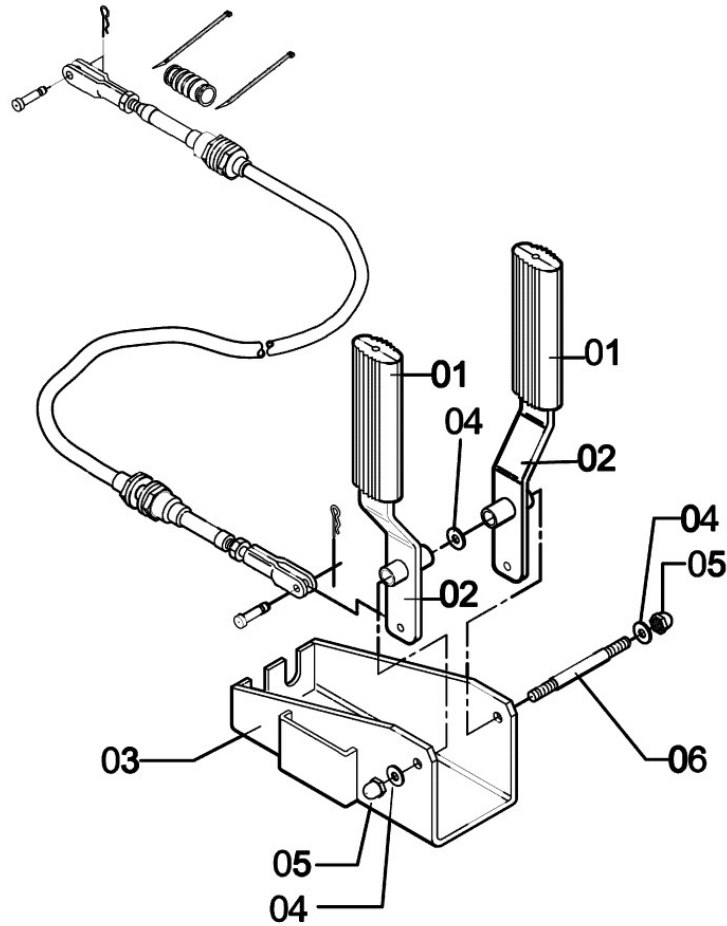
ADJUSTABLE AXLE NO. 20



EX-48

Item	CODE	DESCRIPTION	Qty.	Item	CODE	DESCRIPTION	Qty.
00	291013	Adjustable axle no. 20	1	26	989244	Hex. nut M20 x 1.50	8
01	044107	Parlock hex. nut M16 x 1.50	4	27	291237	Wheel W9 x 18	2
02	170522	Hex. bolt M16 x 65 x 1.50	4	28	291245	Tire 12.5/80-18	2
03	209023	Cotter pin 1/4" x 2.1/2"	2	29	434373	Inner tube 10.5 / 80 - 18	2
04	209163	Lock washer M12	2				
05	211102	Lock washer 20	8				
06	280925	Hex. head bolt M12 x 35 x 1,50	2				
07	291211	Moving axle driveshaft	2				
08	292664	Tire assembly	2				
09	427013	Nut ABTN - 1020 thread M12 x 1,50	2				
10	441030	Bolt \varnothing 1/4" - 20 UNC x 5/8"	6				
11	530998	Wheel hub	2				
12	531012	Hub cap	2				
13	531020	Packing 120 x 94 x 1.59	2				
14	546630	Cone roller bearing	2				
15	546648	Cone roller bearing	2				
16	546655	Retainer 74.6 x 114.3 x 11.9	2				
17	546838	Wheel bolt	16				
18	546846	Nut M20 x 1.5 - CL. 8.8	16				
19	612515	Flat washer 360 x 700 x 79,3	2				
20	612580	Castle nut 1.3/8" - 12 UNF	2				
21	910117	Lock washer \varnothing 1/4"	6				
22	968164	Central body	1				
23	969048	Fastening plate	4				
24	974451	Flat washer 170 x 380 x 50	12				
25	984815	Bolt M20 x 180 x 1.50	8				

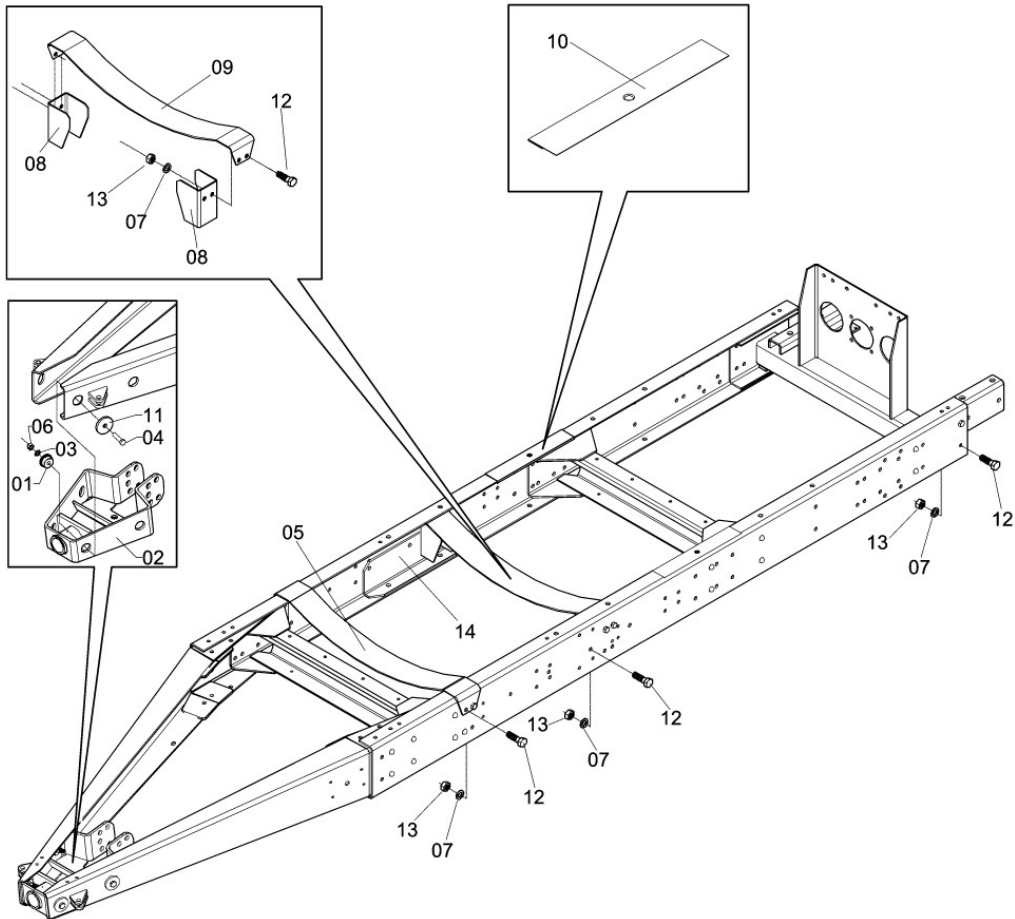
SPRAY CONTROL ACTUATOR



CV-120

Item	CODE	DESCRIPTION	Qty.	Item	CODE	DESCRIPTION	Qty.
00	431692	Spray control actuator	1				
01	002683	Handrip	2				
02	356741	Lever	2				
03	431700	Lever support	1				
04	013433	Flat washer	3				
05	945832	Box nut M8 x 1,0	2				
06	947762	Stud bolt	1				

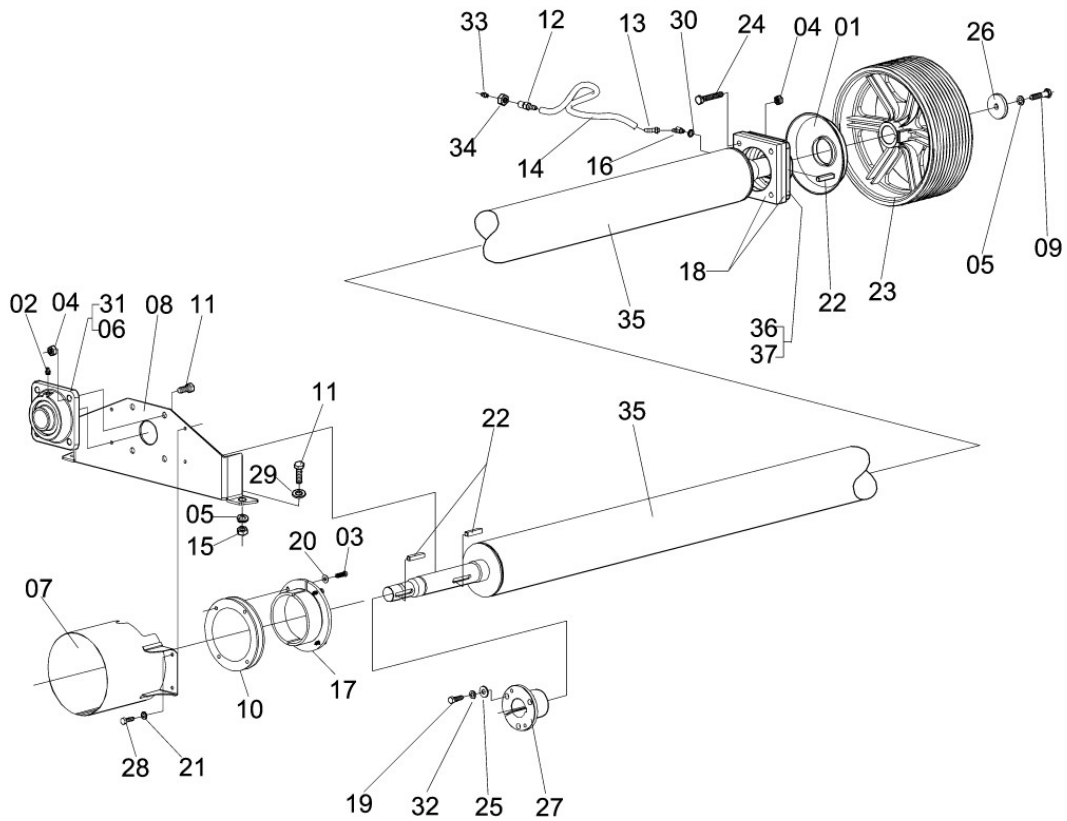
CHASSIS



C-130

Item	CODE	DESCRIPTION	Qty.	Item	CODE	DESCRIPTION	Qty.
00	291047	Chassis	1				
01	091769	Bushing 16	4				
02	192245	Hitch	1				
03	209163	Lock washer M12	4				
04	275396	Hex. head bolt M12 x 50 x 1.50 - CL 8.8	4				
05	284505	Strap R1135	1				
06	427013	Nut ABTN - 1020 thread M12 x 1,50	4				
07	644146	Lock washer M14	14				
08	693010	Strap support	2				
09	693036	Rear strap	1				
10	693051	"U" section - tank support	2				
11	703595	Flat washer 133 x 580 x 80	4				
12	764183	Hex. head bolt M14 x 45 x 1,50 - CL. 8.8	14				
13	937318	Hex. nut M14 x 1.5 CL . 88	14				
14	284521	Bearer fastening "L" plate	2				

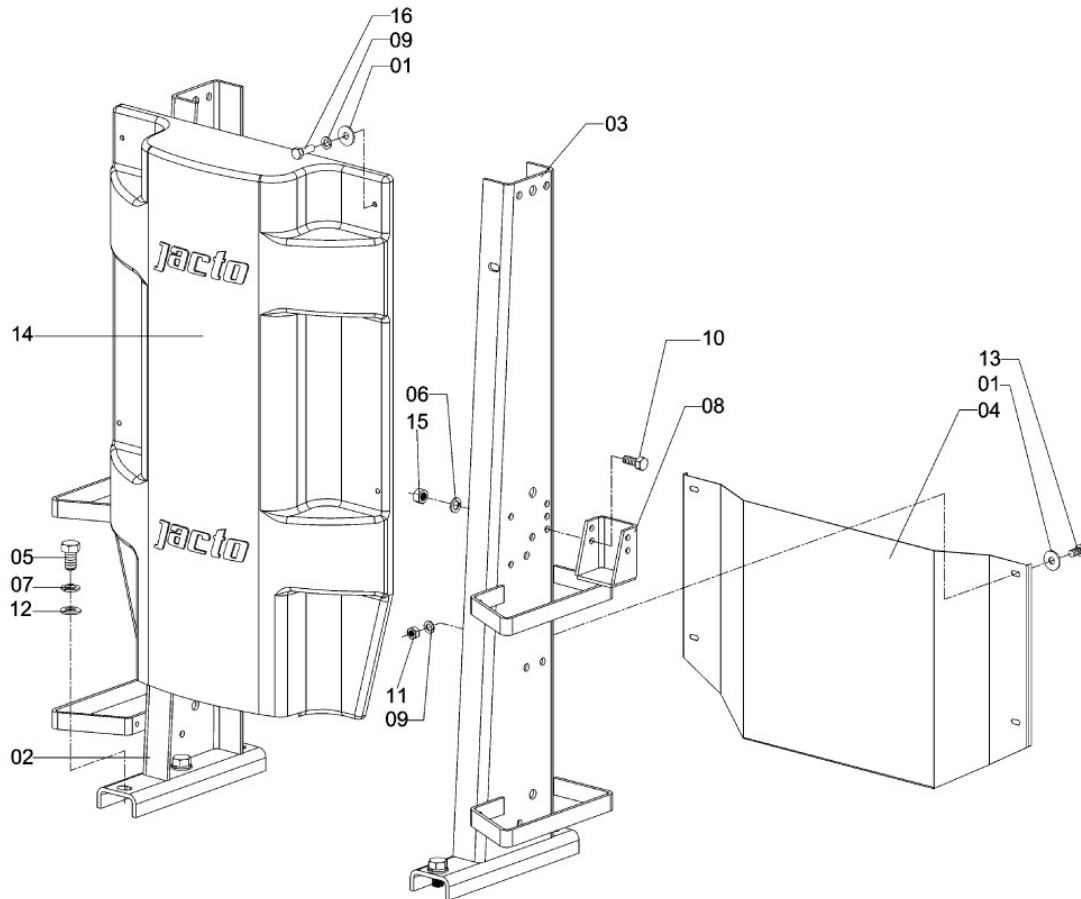
DRIVE TRANSMISSION AND COMPLEMENTS



TMT-92

Item	CODE	DESCRIPTION	Qty.	Item	CODE	DESCRIPTION	Qty.
00	291740	Drive transmission and complements	1	26	703595	Flat washer 133 x 580 x 80	1
01	037606	Protector	1	27	725333	Pulley lock	1
02	127142	Grease nipple \varnothing 1/8"	1	28	810697	Bolt M6 x 1 x 20	4
03	135038	Hex. head bolt M8 x 35 x 1.25	4	29	818112	Flat washer 130 x 240 x 30	2
04	173245	Hex. nut parlock M12 x 1.25	8	30	822650	Ring \varnothing 9.8 x \varnothing 12.7 x 2.0	1
05	209163	Lock washer M12	3	31	825075	Flange-type bearing	1
06	220194	Self-aligning bearing	1	32	908566	Lock washer \varnothing 3/8"	3
07	240036	PTO shaft guard tube	1	33	910463	Grease nipple 1/4" - 28 UNF	1
08	252874	Bearing support (front)	1	34	916627	Nut 7/16" - 14 UNC	1
09	280925	Hex. head bolt M12 x 35 x 1,50	1	35	948547	Drive shaft	1
10	362400	Pulley \varnothing 184-1-3V	1	36	969436	Flange-type bearing II	1
11	383802	Hex. bolt M12 x 40 x 1,50	6	37	970798	Self-compensating bearing	1
12	426189	Fitting	1				
13	426205	Male fitting for hose \varnothing 1/4"	1				
14	426213	Hose 1/4" x 400	1				
15	427013	Nut ABTN - 1020 thread M12 x 1,50	2				
16	429555	Grease nipple 1/8" BSP 45	1				
17	487603	Clip cone	2				
18	499145	Bearing spacing flange	2				
19	518753	Bolt 3/8" - 16 UNC x 1.1/4"	3				
20	519736	Lock washer M8	4				
21	521666	Lock washer M6	4				
22	521765	Square key 9,53 (3/8") x 50	3				
23	551861	Pulley \varnothing 332-12-3V	1				
24	576371	Screw M12 x 70 x 1,50	4				
25	623884	Flat washer 105 x 210 x 20	3				

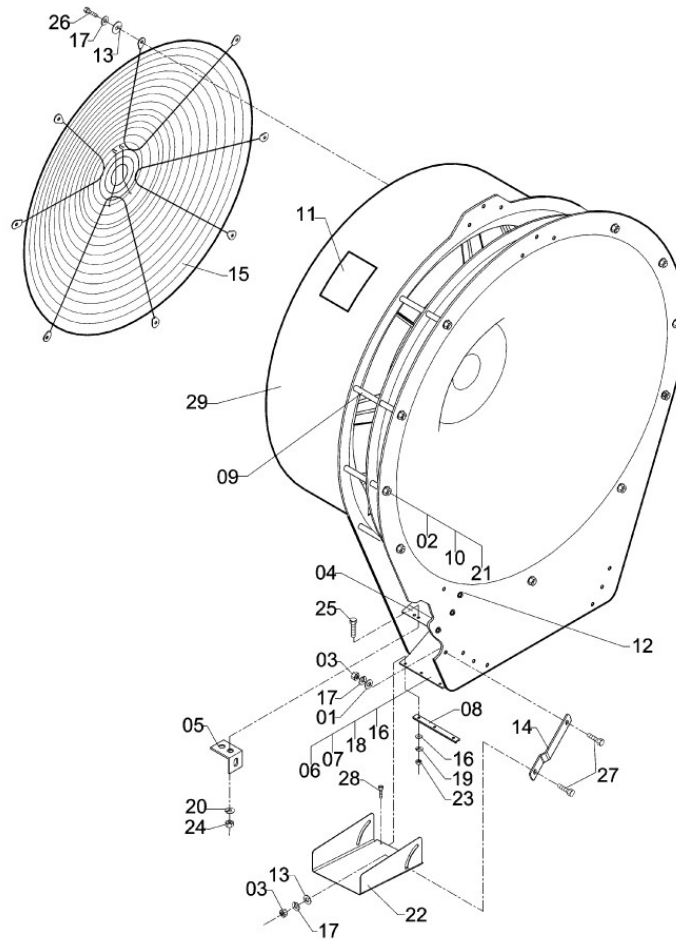
REAR COLUMN AND COMPLEMENTS - SUPER EXPORT



C-106

Item	CODE	DESCRIPTION	Qty.	Item	CODE	DESCRIPTION	Qty.
00	288605	Rear column and complements - Super Export	1				
01	013433	Flat washer	8				
02	172320	Right Low Column	1				
03	172338	Left Low Column	1				
04	173054	Rear protector	1				
05	174334	Hex. head bolt M-20 x 50 x 1,50 - CL. 8.8	6				
06	209395	Lock washer M10	4				
07	211102	Lock washer 20	6				
08	499244	Tightener base	2				
09	519736	Lock washer M8	8				
10	829515	Hex. bolt M10 x 30 x 1.5	4				
11	810770	Hex. nut M-8 x 1.25	4				
12	818153	Flat washer 210 x 370 x 30	6				
13	829382	Hex head bolt M8 x 25 x 1.25	4				
14	861435	Transmission shield	1				
15	209205	Hex. nut M10 x 1,50	4				
16	836502	Screw 5/16" - 18 UNC x 1"	4				

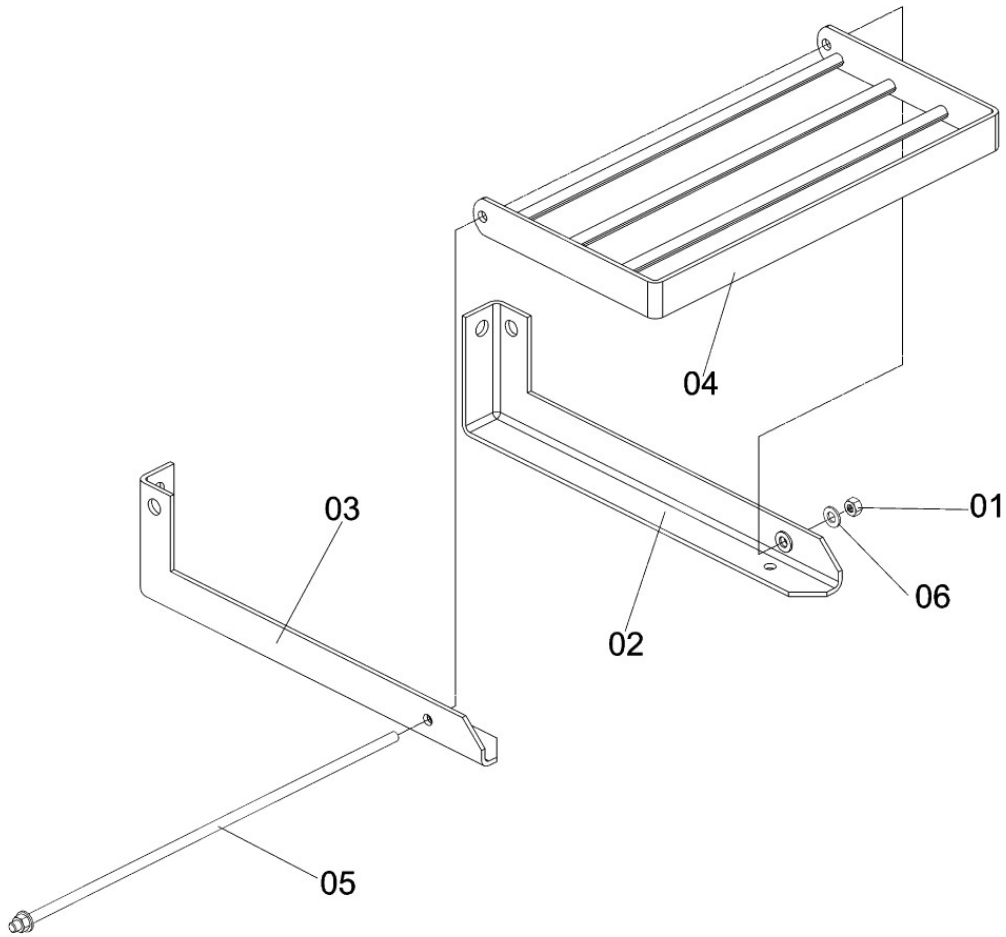
DEFLECTOR 2P AND COMPLEMENTS



DF-22

Item	CODE	DESCRIPTION	Qty.	Item	CODE	DESCRIPTION	Qty.
00	285098	Deflector 2P and complements	1	26	820282	Bolt \varnothing 5/6" - 18 UNC x 1.3/4"	8
01	013433	Flat washer	2	27	829382	Hex head bolt M8 x 25 x 1.25	4
02	204750	Stud bolt \varnothing 3/8" x 245	10	28	934273	Bolt M-4 x 15 x 0,7 mm	3
03	221648	Nut M8 x 1.25 - stainless steel	4	29	977884	Deflector 2P	1
04	237974	Vane 2	2				
05	243436	Nozzle branch bracket	2				
06	243485	Vane 1	2				
07	284760	Plate 190 x 430	2				
08	285080	Reinforcement 18 X 170	1				
09	325050	Spacer bushing 95	20				
10	354464	Nut parlock 3/8" - 16 UNC	20				
11	360248	Sticker: "Fan guard screen"	1				
12	413468	Flat washer 68 x 190 x 12	20				
13	420281	Flat washer 82 x 350 x 30	10				
14	427971	Support body	2				
15	430942	Fan Guard Screen.	1				
16	508515	Flat washer 41 x 127 x 12.1	9				
17	519736	Lock washer M8	12				
18	519777	Rivet ζ POP ζ \varnothing 4.0 x 12.8	6				
19	520700	Lock washer M4	3				
20	521666	Lock washer M6	24				
21	624130	Flat washer 100 x 180 x 12	20				
22	734640	Deflector vane	1				
23	551523	Hex. nut M-4 x 0.7 stainless steel	3				
24	810689	Hex. nut M6 x 1.00	24				
25	810697	Bolt M6 x 1 x 20	24				

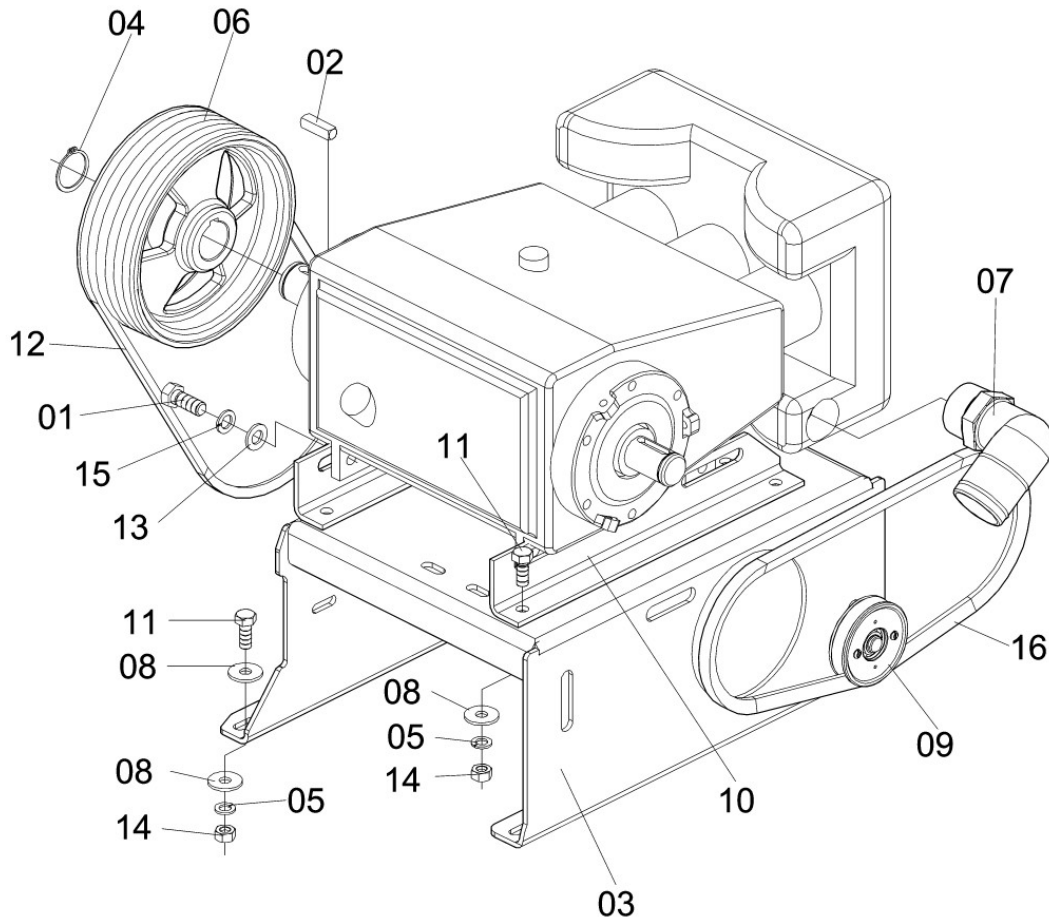
PLATFORM



C-75

Item	CODE	DESCRIPTION	Qty.	Item	CODE	DESCRIPTION	Qty.
00	372383	Platform	1				
01	108761	Nut 3/8" - 16 UNC]	2				
02	372391	Right support	1				
03	372409	Left support	1				
04	434506	Platform base	1				
05	434530	Stud bolt 3/8" - 16 UNC x 500	1				
06	623884	Flat washer 105 x 210 x 20	4				

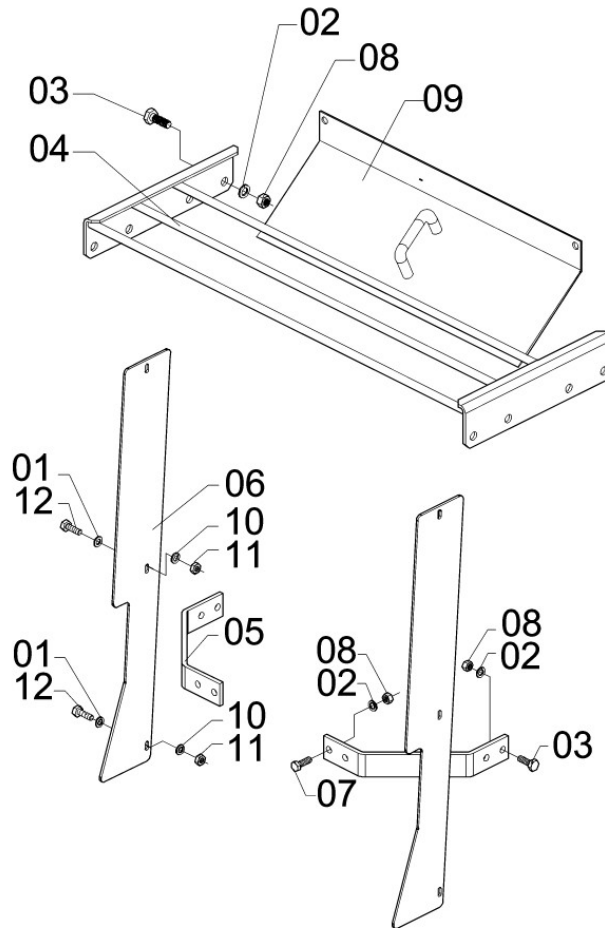
COMPLEMENTS FOR PUMP JP-190



TMT-93

Item	CODE	DESCRIPTION	Qty.	Item	CODE	DESCRIPTION	Qty.
00	472381	Complements for Pump JP-190	1				
01	520205	Bolt 1/2" - 13 UNC x 1.1/4"	4				
02	108936	Square key 9,53 (3/8") x 35	1				
03	172361	Pump base	1				
04	203067	Snap ring for shaft ø 35	1				
05	209395	Lock washer M10	6				
06	375519	Pulley 180-6-3V	1				
07	613679	Hose fitting 2" x 1.1/2" BSP	1				
08	623884	Flat washer 105 x 210 x 20	10				
09	645416	Tightening pulley assembly 78 (Shaft ø 15 x 50,5)	1				
10	724161	Pump support (rear)	1				
11	757559	Hex. bolt M10 x 30 x 1.25	6				
12	768713	Trapeze belt	6				
13	818112	Flat washer 130 x 240 x 30	4				
14	907030	Hex. nut M10 x 1.25	6				
15	908582	Lock washer 1/2"	4				
16	917484	Trapeze belt A-37	1				

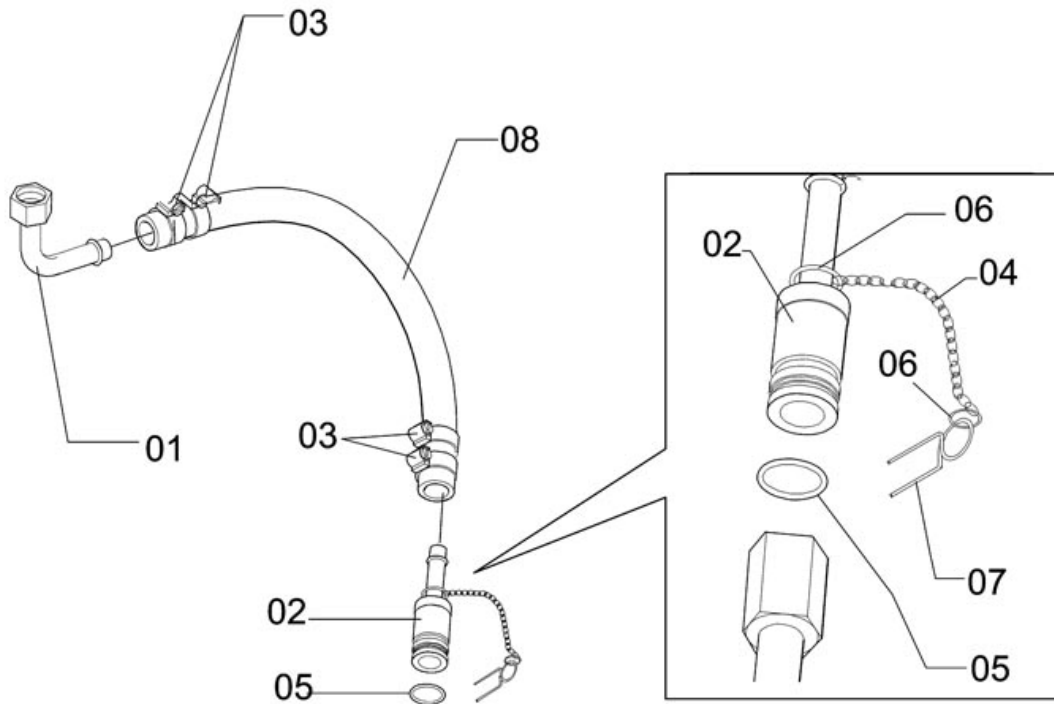
COMPLEMENTS FOR TRAILER



C-126

Item	CODE	DESCRIPTION	Qty.	Item	CODE	DESCRIPTION	Qty.
00	361808	Complements for Trailer	1				
01	013433	Flat washer	4				
02	209163	Lock washer M12	12				
03	280925	Hex. head bolt M12 x 35 x 1,50	8				
04	291252	Platform	1				
05	291286	Fastening Reinforcement	2				
06	374603	Protector 125 x 700	2				
07	383802	Hex. bolt M12 x 40 x 1,50	4				
08	427013	Nut ABTN - 1020 thread M12 x 1,50	12				
09	474668	Upper protection	1				
10	519736	Lock washer M8	4				
11	810770	Hex. nut M-8 x 1.25	4				
12	829382	Hex head bolt M8 x 25 x 1.25	4				

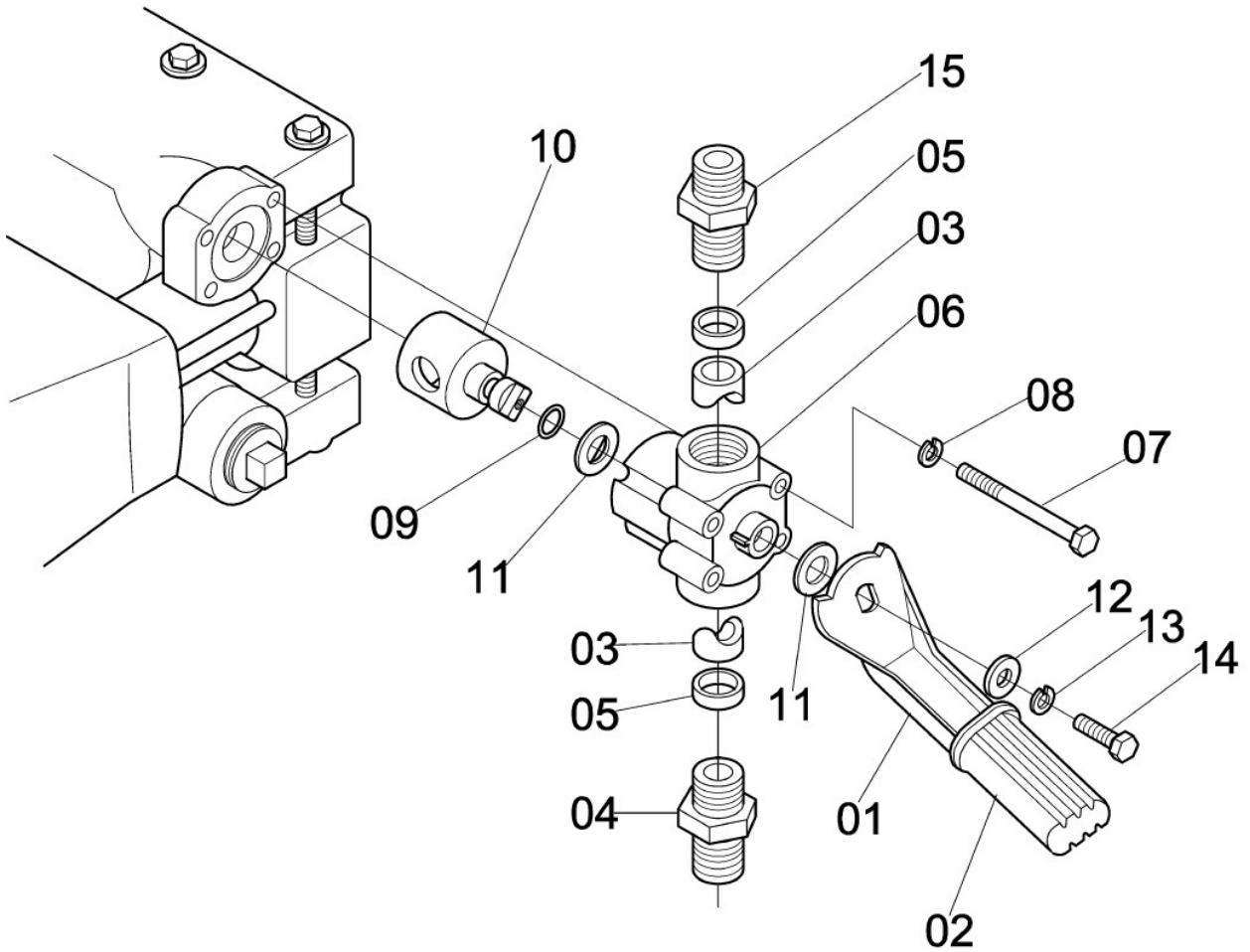
HOSE Ø 3/4" BSP X 600 FOR MACHINE WITHOUT SENSORFLOW



CD-221

Item	CODE	DESCRIPTION	Qty.	Item	CODE	DESCRIPTION	Qty.
00	177238	Hose Ø 3/4" BSP x 600 for machine without Sensorflow	1				
01	350090	Curve fitting ø 3/4" x 90°	1				
02	567453	Quick fitting 3/4"	1				
03	423814	Clamp D22-32 - stainless steel	4				
04	437822	Chain 120 mm	1				
05	440982	O-ring OR1-117	1				
06	622969	Double ring ø 22 x 26 x 3	2				
07	636399	Quick fitting clamp	1				
08	758490	Hose MBP -12 Ø 3/4" x 600	1				

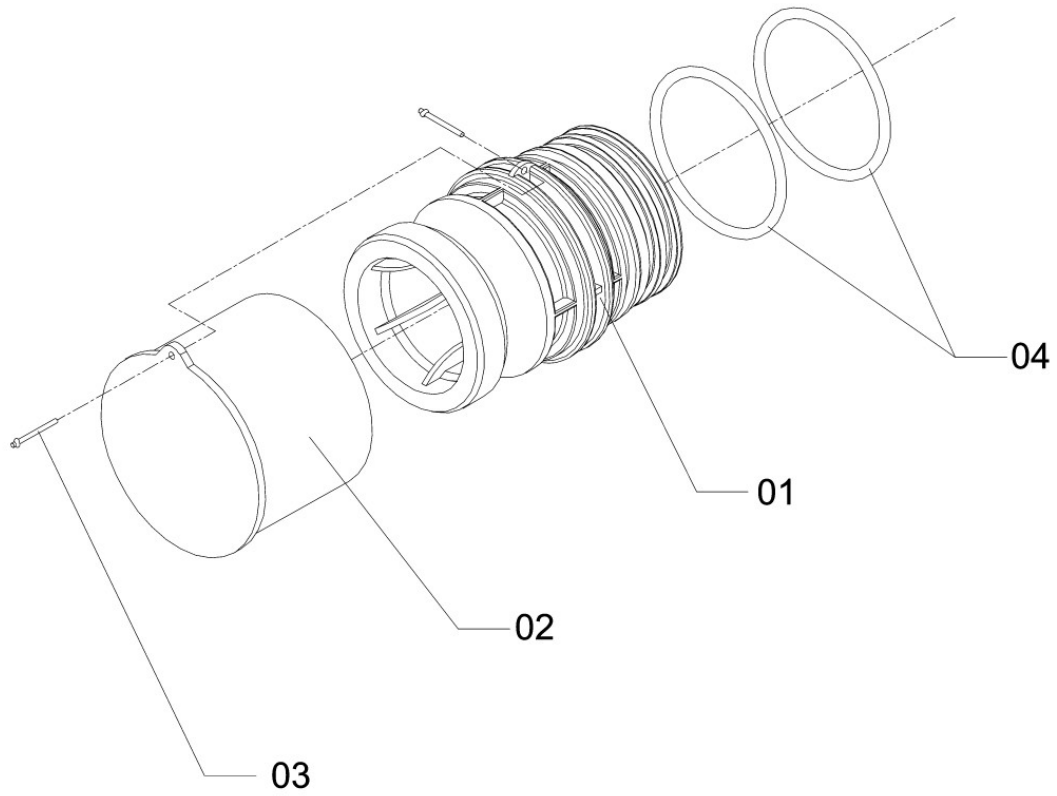
DIRECTIONAL VALVE 100



CV-98

Item	CODE	DESCRIPTION	Qty.	Item	CODE	DESCRIPTION	Qty.
00	717454	Directional valve 100	1				
01	128678	Lever body	1				
02	002683	Handrip	1				
03	200139	Packing ring seat \varnothing 28 x 8	2				
04	631465	Nipple 1" BSP x 1"	1				
05	010827	Packing ring \varnothing 29 x 22 x 3	2				
06	631481	Valve body	1				
07	729038	Bolt 5/16" x 2.3/4"	4				
08	519736	Lock washer M8	4				
09	706796	O-ring OR1-114	1				
10	631341	Directional valve core	1				
11	010645	Core seat washer	2				
12	422436	Flat washer 104 x 254 x 19	1				
13	908566	Lock washer \varnothing 3/8"	1				
14	917682	Bolt 3/8" - 16 UNC x 1/2"	1				
15	728980	Nipple 1" BSPT x 1" BSP	1				

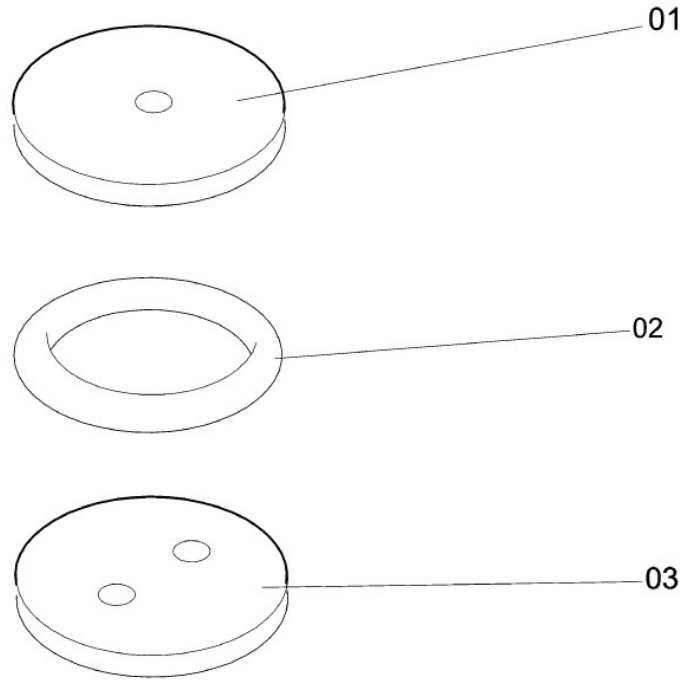
MALE QUICK FITTING



CD-364

Item	CODE	DESCRIPTION	Qty.	Item	CODE	DESCRIPTION	Qty.
00	073940	Male quick fitting	1				
01	066050	Quick fitting connection - male	1				
02	066068	Femela plug	1				
03	155523	Rope ø 2,00 x 200	1				
04	417717	O-ring OR1-227	2				

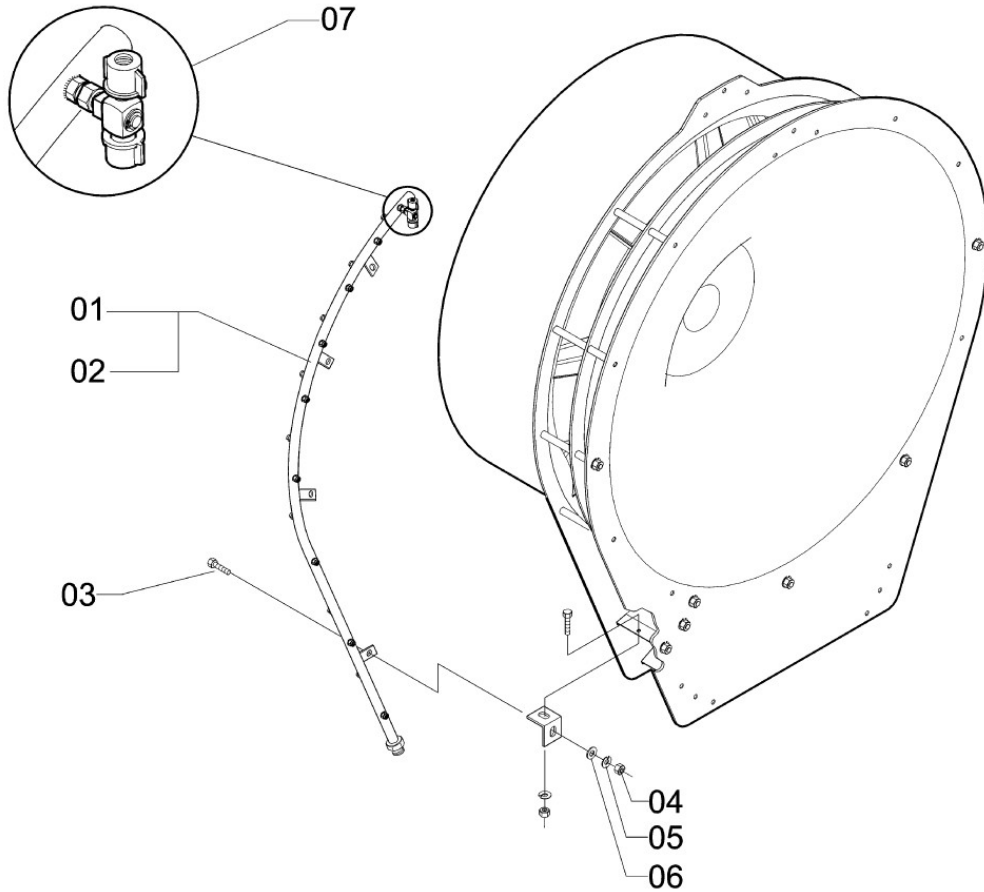
CONE NOZZLE J4-2



BC-23

Item	CODE	DESCRIPTION	Qty.	Item	CODE	DESCRIPTION	Qty.
00	325423	Cone nozzle J4-2	1				
01	325332	Disk J-4	1				
02	642462	Spacer ring	1				
03	325373	Swirl core J-2	1				

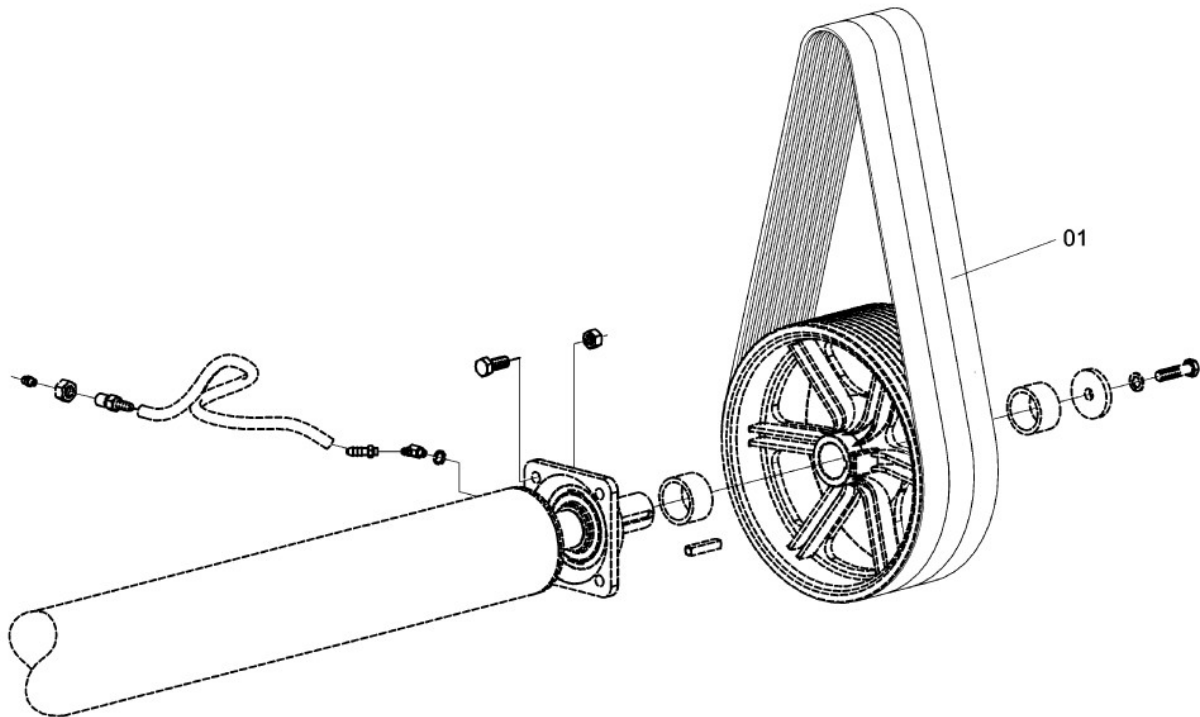
BRANCH W 17 DOUBLE NOZZLE HOLDERS FOR 2P DEFLECTOR



DF-31

Item	CODE	DESCRIPTION	Qty.	Item	CODE	DESCRIPTION	Qty.
00	295857	Branch w 17 double nozzle holders for 2P deflector	1				
01	564153	Right nozzle branch	1				
02	564179	Left nozzle branch	1				
03	295311	Screw M6 x 25 x 1,00 (stainless)	10				
04	730309	Nut M-6 x 1.00 - stainless steel	10				
05	521666	Lock washer M6	10				
06	712554	Flat washer 70 x 180 x 12,4	10				
07	340802	Double nozzle holder	44				

TRAPEZOIDAL BELT SUPER HC 4/3V-0850

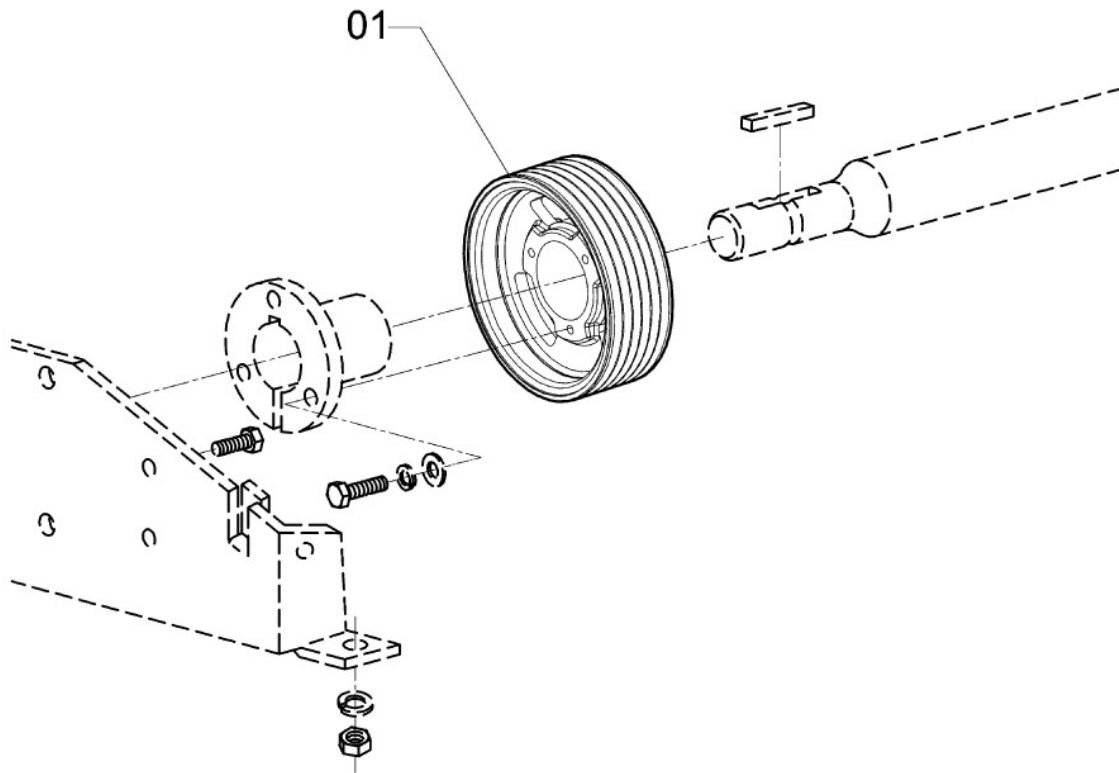


TMV-26

Item	CODE	DESCRIPTION	Qty.
00	482943	Trapezoidal Belt Super HC 4/3V-0850	1
01	482943	Trapezoidal Belt Super HC 4/3V-0850	1

Item	CODE	DESCRIPTION	Qty.

PULLEY Ø 228-6-3V

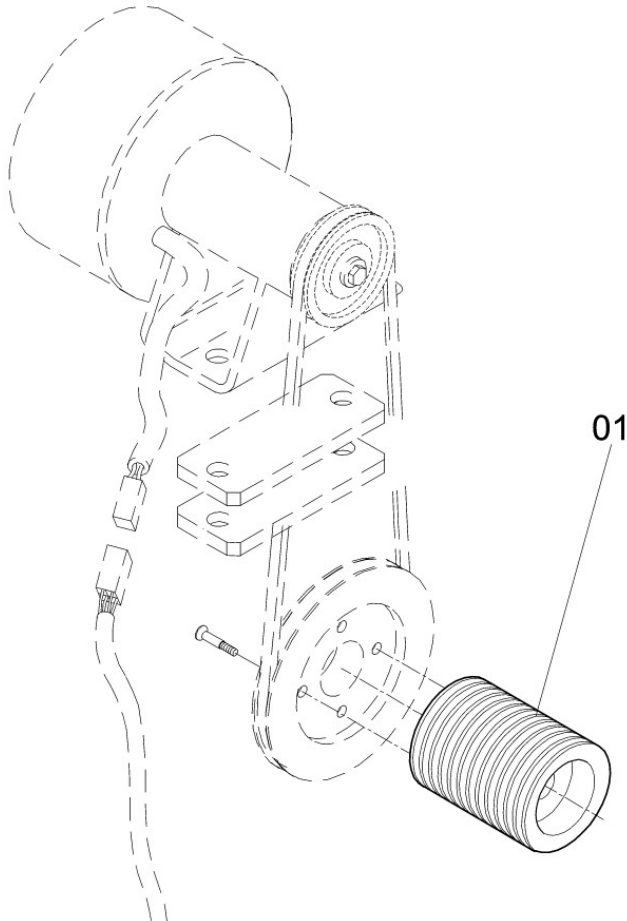


TMT-71

Item	CODE	DESCRIPTION	Qty.
00	375485	Pulley ø 228-6-3V	1
01	375485	Pulley ø 228-6-3V	1

Item	CODE	DESCRIPTION	Qty.

PULLEY Ø88-12-3V

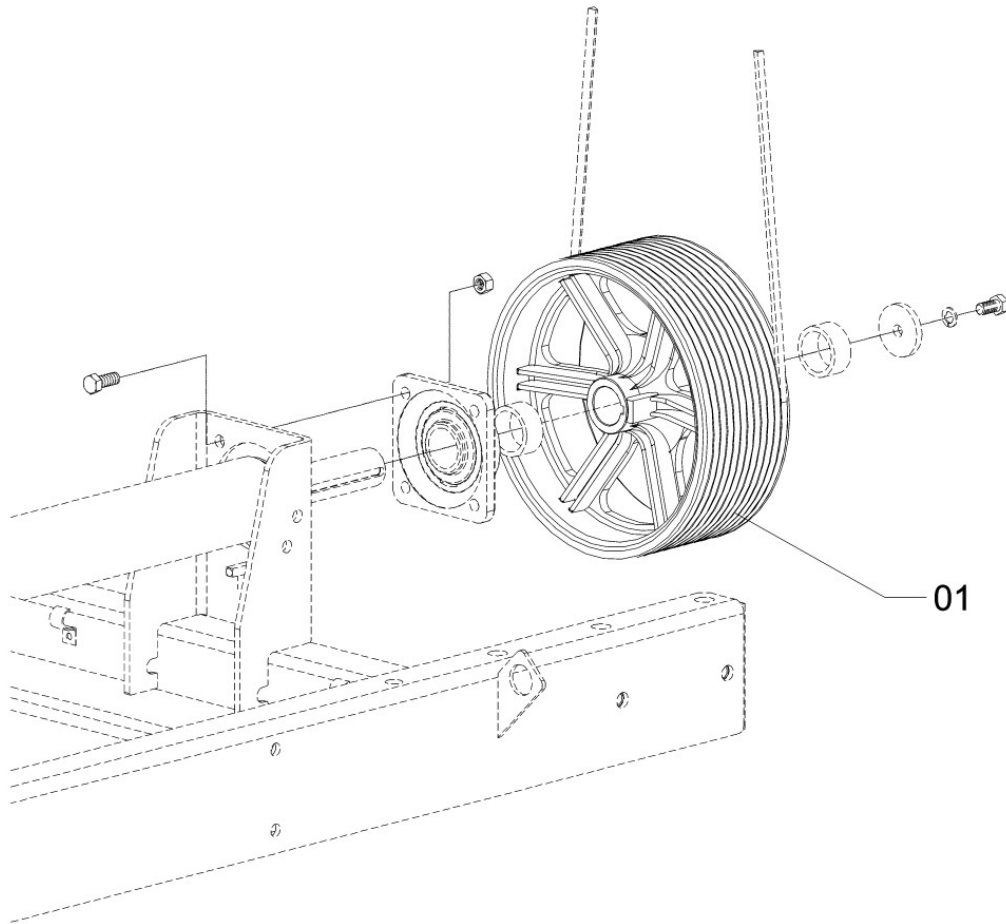


TMV-29

Item	CODE	DESCRIPTION	Qty.
00	376111	Pulley Ø88-12-3V	1
01	376111	Pulley Ø88-12-3V	1

Item	CODE	DESCRIPTION	Qty.

PULLEY Ø 332-12-3V

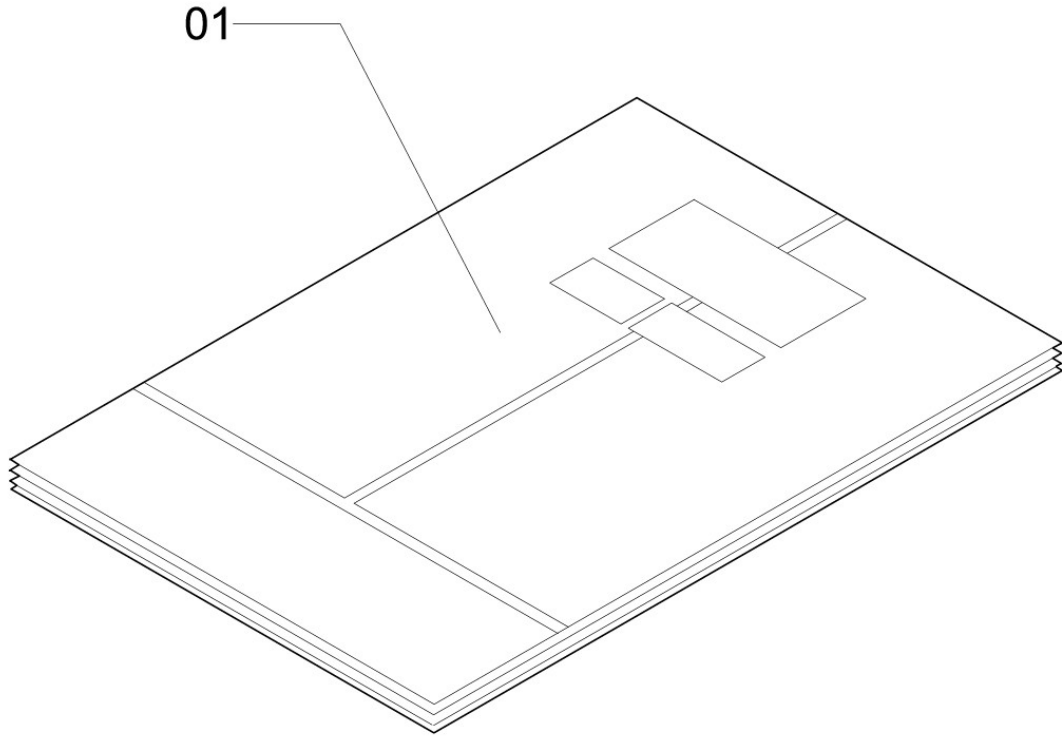


TMT-99

Item	CODE	DESCRIPTION	Qty.
00	551861	Pulley ø 332-12-3V	1
01	551861	Pulley ø 332-12-3V	

Item	CODE	DESCRIPTION	Qty.

"ARBUS 4000" OPERATOR'S MANUAL

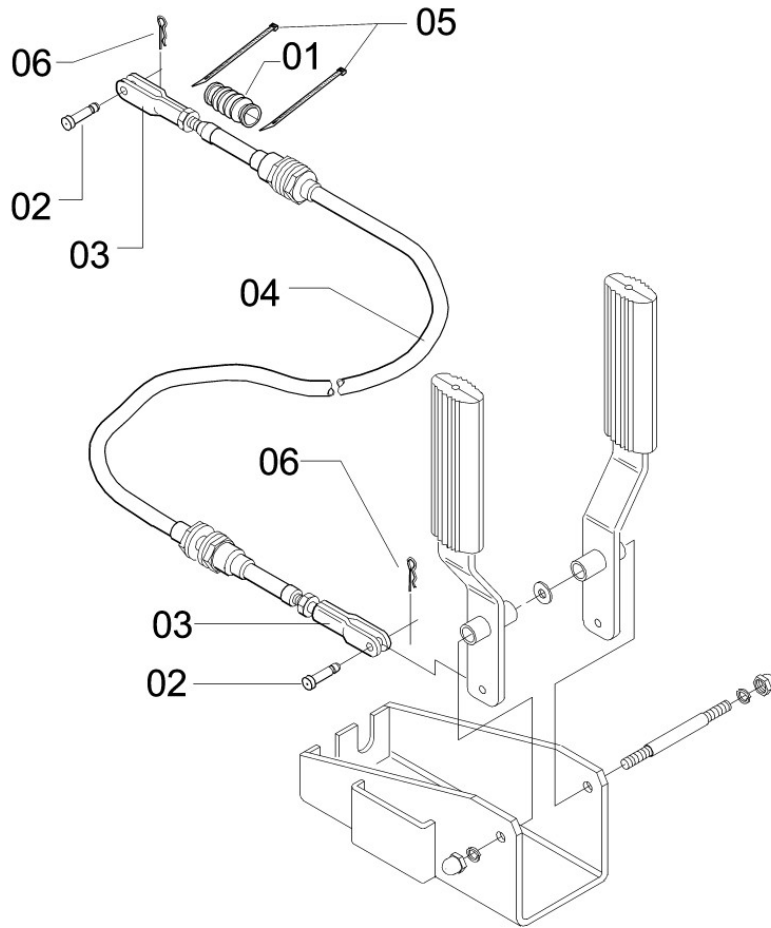


CXA-190

Item	CODE	DESCRIPTION	Qty.
00	392548	"ARBUS 4000" Operator's Manual	1
01	392548	"ARBUS 4000" Operator's Manual	1

Item	CODE	DESCRIPTION	Qty.

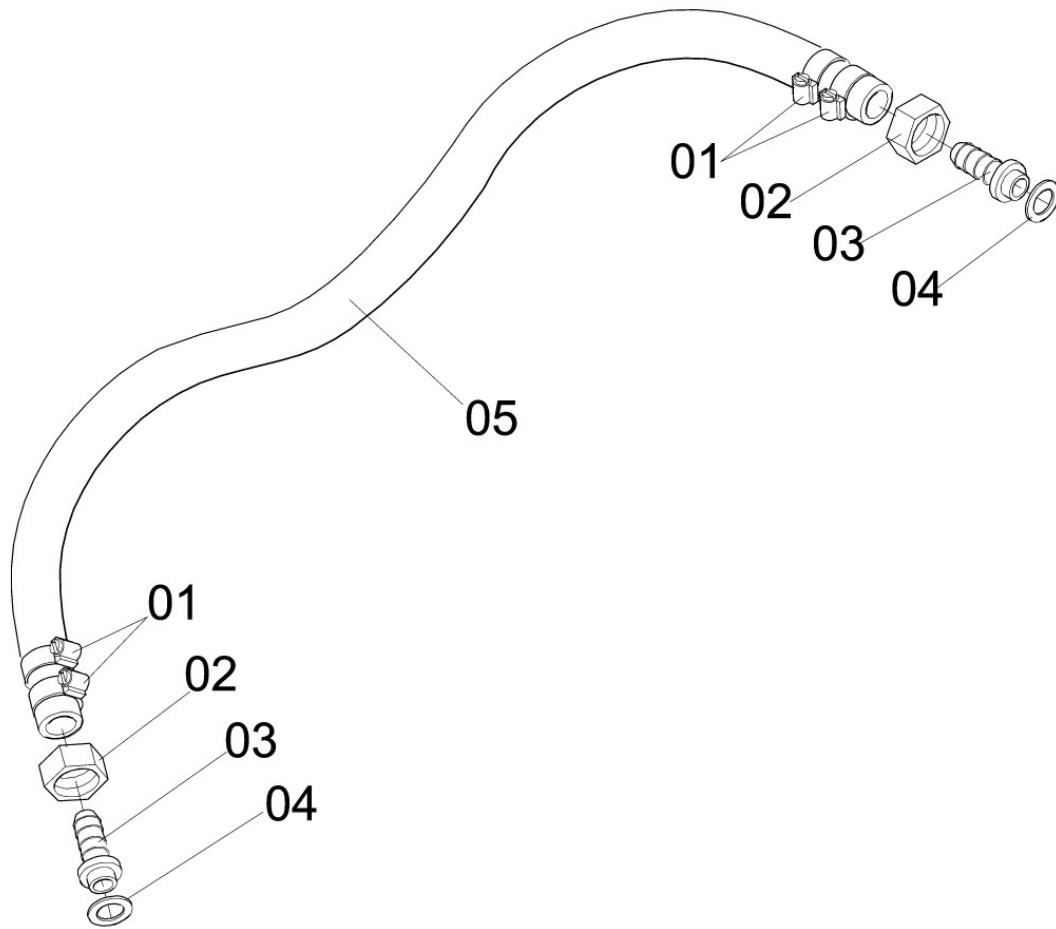
FLEXIBLE CABLE WITH COUPLING FORK



CD-350

Item	CODE	DESCRIPTION	Qty.	Item	CODE	DESCRIPTION	Qty.
00	399139	Flexible cable with coupling fork	1				
01	058164	Bellows protector	2				
02	431510	Joint pin	2				
03	458323	Coupling end 53.5	4				
04	648204	Control flexible handgrip	2				
05	825406	Hose tie T 018 R	4				
06	942904	Lock cotter pin	2				

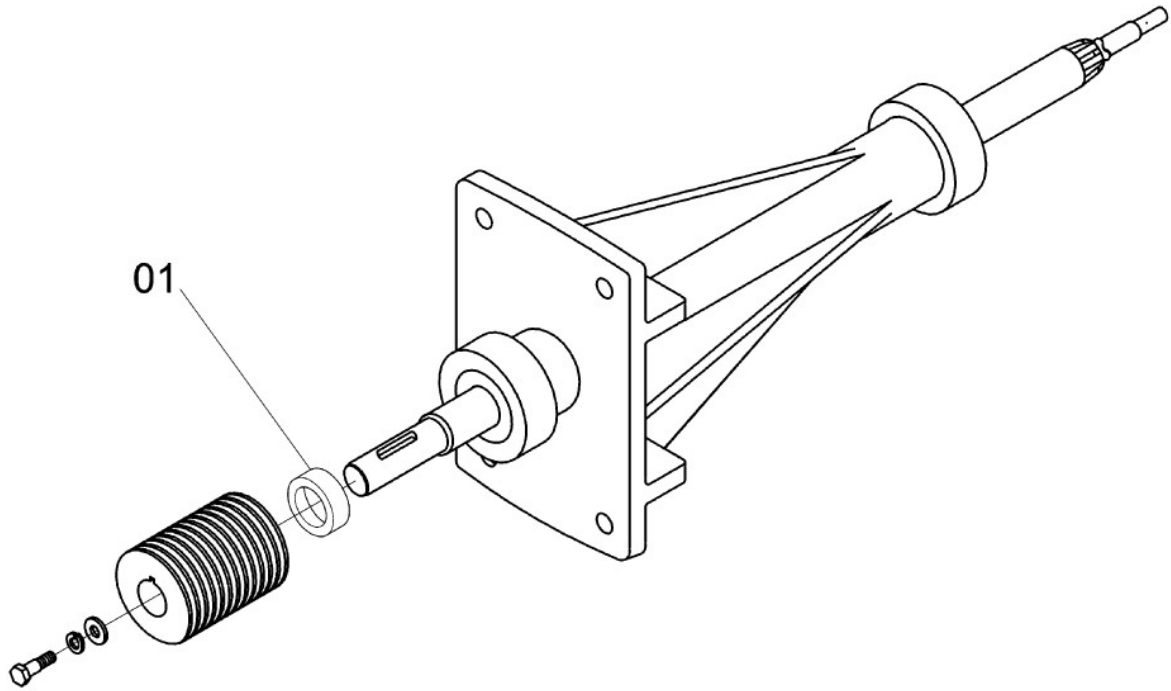
PRESSURE HOSE 1" BSP X 390



CD-351

Item	CODE	DESCRIPTION	Qty.	Item	CODE	DESCRIPTION	Qty.
00	868661	Pressure hose 1" BSP x 390	1				
01	330969	Clamp D25-38 - stainless steel	4				
02	405753	Hex. nut 1" - 11 BSP	2				
03	819540	Hose fitting ø 1"	2				
04	402412	Lock washer ø 31 x 22.5 x 22.5/3.0	2				
05	868679	Hose MBP-16 - 1" x 340	1				

SPACER 15

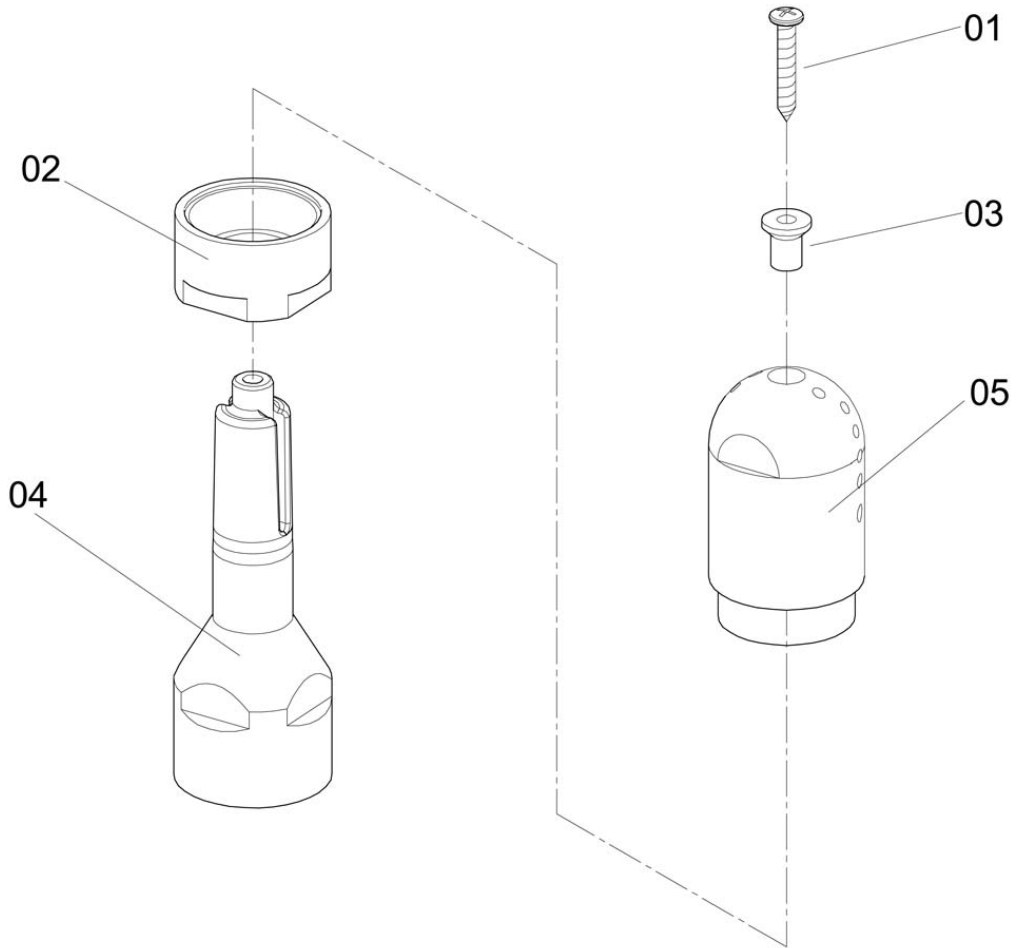


TMV-28

Item	CODE	DESCRIPTION	Qty.
00	728576	Spacer 15	1
01	728576	Spacer 15	1

Item	CODE	DESCRIPTION	Qty.

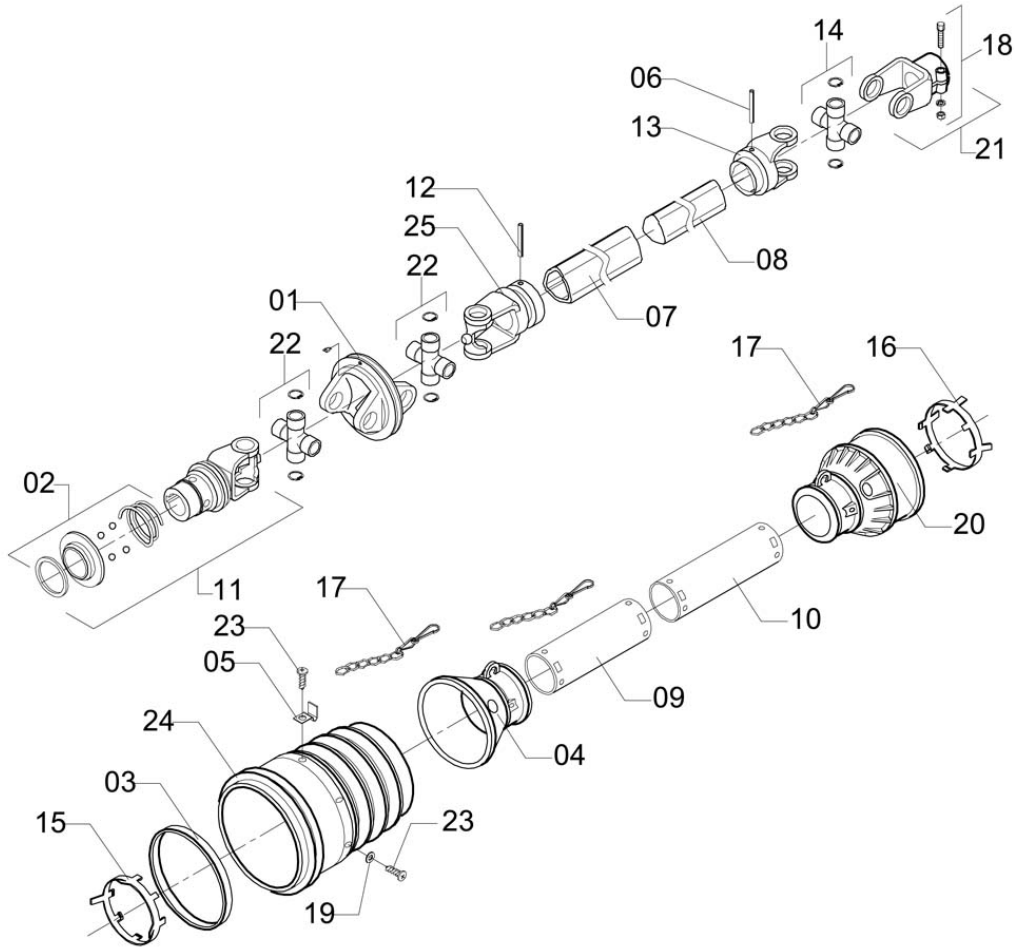
RINSE NOZZLE



KIT-75

Item	CODE	DESCRIPTION	Qty.	Item	CODE	DESCRIPTION	Qty.
00	071944	Rinse nozzle	1				
01	483628	Bolt 2.9 x 22	1				
02	059055	Nozzle nut	1				
03	061119	Bushing	1				
04	058909	Nozzle core	1				
05	060426	Nozzle body	1				

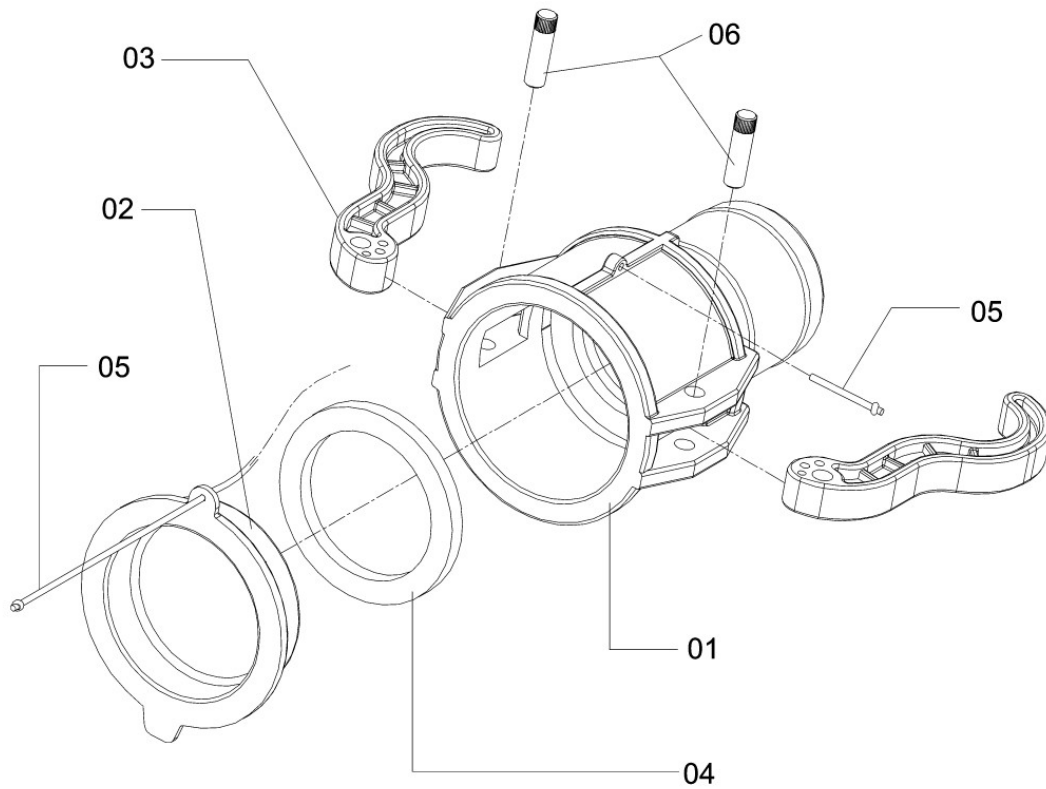
WIDE ANGLE CV PTO SHAFT - Z = 6 X 35



CN-27

Item	CODE	DESCRIPTION	Qty.	Item	CODE	DESCRIPTION	Qty.
00	998260	Wide angle CV PTO shaft - Z = 6 x 35	1				
01	008839	Central body	1				
02	585414	PTO end blocking kit - 6 grooves	1				
03	169292	Cross guard lock	1				
04	169326	Intermediate guard (tractor end)	1				
05	169334	PTO shaft chain hook	1				
06	227173	Flexible pin ø10 x 65	1				
07	320978	Female tube 1R6 L1285	1				
08	320986	Male tubo L1275	1				
09	320994	Protective tube	1				
10	321000	Cut shield female tube	1				
11	399550	Coupling end - PTO end (1.3/8"Z=6)	1				
12	456970	Flexible pin	1				
13	457010	Male tube coupling end	1				
14	457028	Cross	1				
15	457069	Shield lock	1				
16	457119	Shield lock	1				
17	457127	Chain	3				
18	457192	Bolt and nut	1				
19	501692	Flat washer 52 x 120 x 12	5				
20	572321	Cross shield (sprayer end)	1				
21	640623	Coupling end (sprayer end)	1				
22	681676	Cross assembly	2				
23	856229	Self-tapping bolt with slot PH. 4.8 x 22	6				
24	876789	Central body guard - tractor end	1				
25	876797	Female tube end	1				

FEMALE QUICK FITTING



CD-363

Item	CODE	DESCRIPTION	Qty.	Item	CODE	DESCRIPTION	Qty.
00	066100	Female Quick Fitting	1				
01	065938	Quick fitting connection - female (machined part)	1				
02	065987	Male cover	1				
03	066019	Lock	2				
04	066084	Seat ring	1				
05	155523	Rope \varnothing 2,00 x 200	1				
06	789008	Lock pin	2				